

TABLE OF CONTENTS 1998 35' CUTTER PUSHER

SECTION I A through C

APPLIANCES

Air conditioner	I-1
Furnace	I-1
Microwave	I-1
Range	I-2
Refrigerator	I-2
Water heater	I-3

BODY

CS wall, slide-out	I-6
RS wall, slide-out	I-8
Slide out extrusions	I-9
Slide out gaskets	I-10
RS wall, non slide	I-12
CS wall, non slide	I-14
Front end	I-16
Aft end	I-18
Roof	I-19

CHASSIS

Hitch/Leveling Jacks	I-20
Step/Exhaust extension/Mud flaps	I-20
Tire valve extension	I-20
Automotive air conditioner	I-22

TABLE OF CONTENTS 1998 35' CUTTER PUSHER

SECTION II

D through E

DASH

Dash parts	II-2
----------------------------------	------

DECALS

Front and rear	II-4
--------------------------------------	------

Side	II-6
----------------------------	------

DOORS/WINDOWS/AWNINGS

RS, slide out	II-8
-------------------------------------	------

CS, slide out	II-10
-------------------------------------	-------

RS, non-slide	II-12
-------------------------------------	-------

CS, non-slide	II-14
-------------------------------------	-------

DRAPES/BLINDS/VALANCES	II-15
--	-------

ELECTRICAL

110 volt	II-16
--------------------------------	-------

12 volt, chassis	II-20
--	-------

Armrest & Dash switches/lens	II-21
--	-------

12-volt interior switches	II-22
---	-------

12-volt interior lights	II-23
---	-------

12-volt exterior lights	II-24
---	-------

12-volt misc.	II-25
-------------------------------------	-------

Windshield wiper assy.	II-26
--	-------

ENTERTAINMENT

Televisions/Video/Antenna	II-28
---	-------

Radios/CD changer	II-28
---	-------

Rear view monitor	II-28
---	-------

TABLE OF CONTENTS 1998 35' CUTTER PUSHER

SECTION III

F through H

FASTENERS (common fasteners available locally are not listed)

Rivets	III-1
Screws	III-3

FLOOR COVERING

Carpet/Hardwood flooring	III-4
Tile/Mats	III-4

FURNITURE

Interior doors	III-5
Mirrors	III-6
Drawer face	III-7
Drawer box	III-7
Bedroom furniture	III-8
Bath, non slide	III-9
Bath, slide out	III-10
Galley, slide out	III-11
Galley, non slide	III-13
Lounge, slide out	III-15
Lounge, non slide	III-16
Cab	III-17

HARDWARE

Main door/screen door	III-18
Exterior access doors	III-20
Front hood	IV-21
Slide out room	III-22
Awning hardware	III-24
Interior hardware	III-25

TABLE OF CONTENTS 1998 35' CUTTER PUSHER

SECTION IV

L through Z

[LABELS and TAGS](#) IV-1

[OPTIONS](#) IV-3

PLUMBING

[LPG](#) IV-4

[Utility compartment](#) IV-5

[Fresh water tank/Fittings](#) IV-6

[Faucets](#) IV-9

[Drain water tank/Fittings](#) IV-13

[Toilet](#) IV-16

[SAFETY EQUIPMENT](#) IV-17

SEALS/SEALER/PAINT

[Gaskets](#) IV-18

[Sealer](#) IV-19

[Adhesive/Paint](#) IV-20

UPHOLSTERY/FOAM/MATTRESS

[Mattresses/Bedspreads/Pillows](#) IV-21

[Sofa/Chairs](#) IV-21

[Dinette foam/upholstery](#) IV-22

[VENTS/FANS/SKYLIGHTS](#) IV-23

WOOD/INTERIOR TRIM

[Paneling/Accessories](#) IV-24

[Wood molding/trim](#) IV-25

[Ceiling trim/retainer](#) IV-26

TABLE OF CONTENTS 1998 35' CUTTER PUSHER

SECTION I

A through C

APPLIANCES

Air conditioner	I-1
Furnace	I-1
Micro-wave	I-1
Range	I-2
Refrigerator.....	I-2
Water heater	I-3

BODY

CS wall, slide-out	I-6
RS wall, slide-out	I-8
Slide out extrusions.....	I-9
Slide out gaskets	I-10
RS wall, non slide.....	I-12
CS wall, non slide.....	I-14
Front end.....	I-16
Aft end	I-18
Roof	I-19

CHASSIS

Hitch	I-20
Power jacks.....	I-20
Step	I-20
Exhaust extension	I-20
Automotive air conditioner.....	I-22

1998 35' CUTTER PUSHER

APPLIANCES

DUO THERM AIR CONDITIONER-BRISKAIR

690323-07	Air conditioner, Briskair 13, 500 BTU
690323-06	Air conditioner, Briskair 11, 000 BTU
690323-20	Thermostat, analog
690323-12	Cover, return grill
690323-103	Shroud, exterior, Briskair
203069	Register, white, 4" x 8"

FURNACE, HYDROFLAME (800-825-4328) -Dealer only

690274	Furnace, Hyroflame, #8535-35, 000BTU
690244-06	Mounting flange
690274-06	Door exterior, Hydroflame
601244-03	Register.rotaire, black
600969-01	Grille, 6x4, col. white
600678	Adapter, grill, heat duct10x2
600247	4" duct hose, flexible

MICROWAVE, SHARP (800-456-3340)

690368	Microwave oven, Sharp Carousal
962723	Bracket assembly, mounting

(Continued)

1998 35' CUTTER PUSHER

APPLIANCES

MAGIC CHEF RANGE (800-544-5513)

690348	Range top, 3-burner
690347	Range, 3-burner w/oven
690012-01	Range cover, bi-fold
964383-01	Range covers, Corian, set

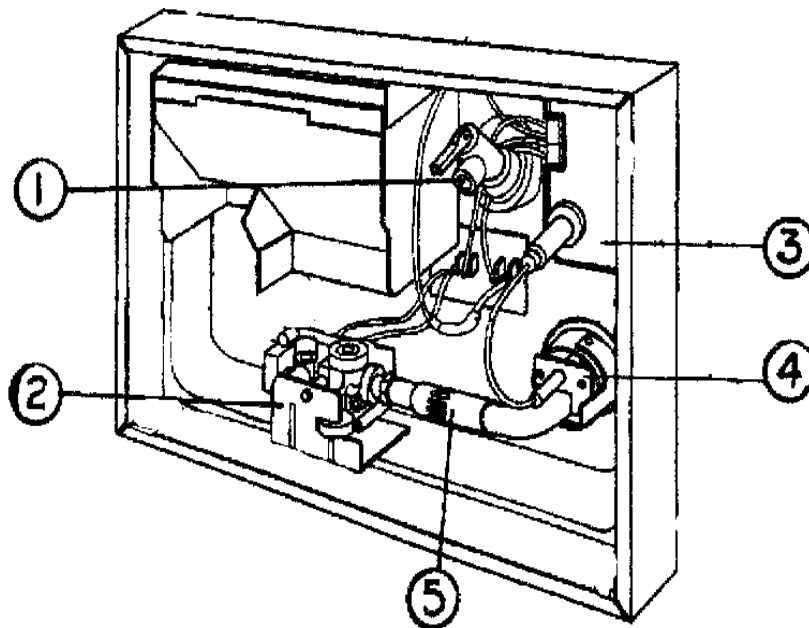
DOMETIC REFRIGERATOR, RM3862R (800-366-3842)

690370-01	Refrigerator, 2-way, RH, RM3862R
801225-01	Door panel, upper, oak, 15.5 x 20.31"
801225-03	Door panel, lower, oak, 38.38 x20.31"
690370-100	Cooling unit, RM3862
381207-03	Vent, roof, Dometic, polar white

1998 35' CUTTER PUSHER APPLIANCES

ATWOOD WATER HEATER, GH6-8E
(800-825-4328) Dealer only

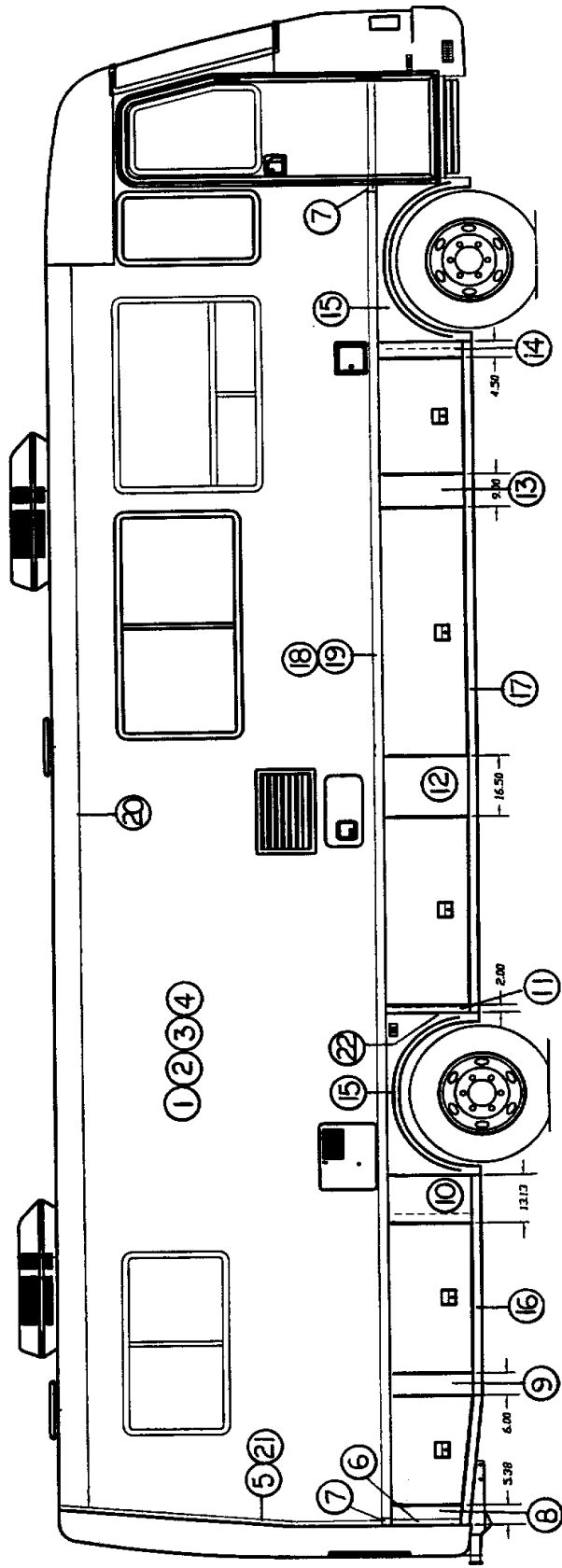
690225	Water heater, Atwood, elec. ignition w/motor aid
500933	Switch, water heater, electronic
690259-03	Cover/mounting flange, Atwood



1) 091604	Relief valve, pressure/temperature
2) 093870	Solenoid valve
3) 093865	Circuit board
4) 093868	Spark probe
5) 092615	Main burner

1998 35' CUTTER PUSHER
NOTES

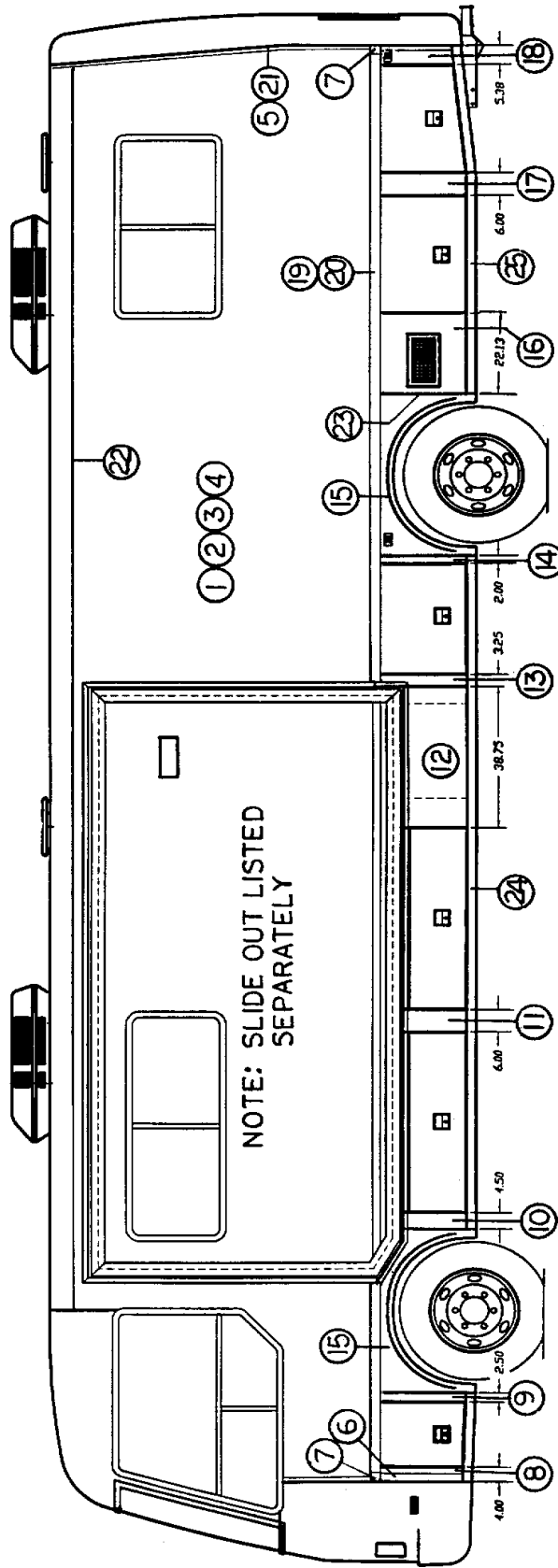
1998 35' CUTTER PUSHER



1998 35' CUTTER PUSHER
CURBSIDE WALL, PUSHER W/SLIDE-OUT

- | | |
|---------------|---|
| 1) 801002-13 | Fiberglass sheet, white 77.5" x 400" |
| 2) 915435 | Weldment, CS wall |
| 3) 203075 | Styrofoam sheet, 1½" thick |
| 4) 801176-04 | Paneling, interior, 1/8" x 4' x 8' G1S, Solitude |
| 5) 114005-02 | Extrusion, trim, cap to sidewall, white |
| 6) 114005-03 | Extrusion, trim, lower cap to filler panel, -
gray |
| 7) 385983-01 | End cap casting, white |
| 8) 114835-02 | Filler panel, angled, CS rear, 5.38" |
| 9) 114778-02 | Filler panel, 6.00" |
| 10) 114780-03 | Filler panel, behind rear fender skirt, 13.13" |
| 11) 114779-01 | Filler panel, fwd. of rear fender skirt, 2.00" |
| 12) 114778-04 | Filler panel, 16.50" |
| 13) 114778-03 | Filler panel, 9.00" |
| 14) 114780-04 | Filler panel, behind front fender skirt, 4.50" |
| 15) 203124-01 | Fender skirt (front and rear are the same) |
| 16) 114836-02 | Rocker panel, angled, CS rear |
| 17) 114708-01 | Rocker panel, straight |
| 18) 114831 | Extrusion, rub rail carrier |
| 19) 203080-01 | Molding, rub rail, white |
| 20) 114570 | Awning rail |
| 21) 320124-06 | Screw #6 x 1.0" C.S. head, stainless, white |
| 22) 114070-02 | Extrusion, J-trim, gray |

1998 35' CUTTER PUSHER



1998 35' CUTTER PUSHER

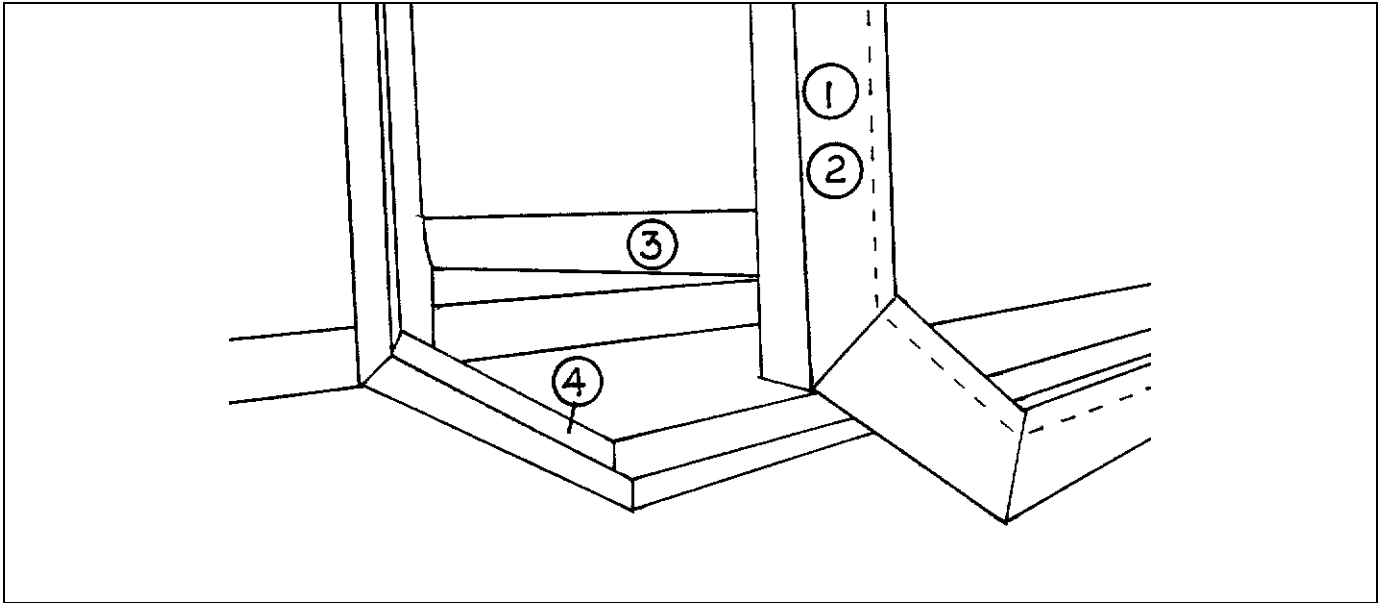
ROADSIDE WALL, **PUSHER W/SLIDE-OUT**

Note: slide-out on separate page

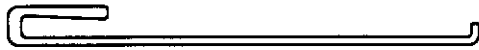
- | | |
|---------------|--|
| 1) 801002-13 | Fiberglass sheet, white, 77.5" x 400" |
| 2) 203075 | Styrofoam sheet, 1 1/2" thick |
| 3) 915434 | Weldment, RS wall with slide-out |
| 4) 801176-04 | Paneling, interior 1/8"x4'x8' G1S, Solitude |
| 5) 114005-02 | Extrusion, trim, end cap to sidewall, white |
| 6) 114005-03 | Extrusion, trim, lower cap to filler panel, gray |
| 7) 385983-01 | End cap casting, rub rail, white |
| 8) 114788-01 | Filler panel, front RS, angle forward |
| 9) 114789-01 | Filler panel, front RS, angle aft |
| 10) 114843-01 | Filler panel, under slide, forward |
| 11) 114842-01 | Filler panel, under slide, between doors |
| 12) 114845-01 | Filler panel, under slide, 38.75" |
| 13) 114844-01 | Filler panel, aft of slide, 3.25" |
| 14) 114780-01 | Filler panel, front of rear fender skirt, 2.00" |
| 15) 203124-01 | Fender skirt (front and rear are the same) |
| 16) 114779-04 | Filler panel, behind rear of fender skirt, 22.1 |
| 17) 114778-02 | Filler panel, 6.00" |
| 18) 114835-01 | Filler panel, RS rear, 5.38" |
| 19) 114831 | Extrusion, rub rail carrier |
| 20) 203080-01 | Molding, rub rail white |
| 21) 320124-06 | Screw #6 x 1.00", C.S. head, stainless, white |
| 22) 114570 | Awning rail |
| 23) 114070-02 | Extrusion, J-trim, gray |
| 24) 114708-01 | Rocker panel, straight |
| 25) 114836-01 | Rocker panel, angled, RS rear |

1998 35' CUTTER PUSHER

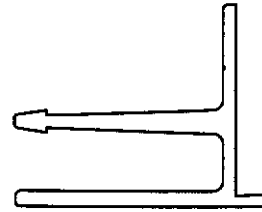
SLIDE OUT EXTRUSION



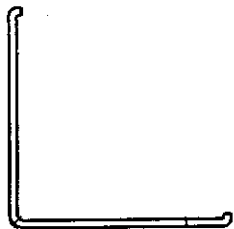
Lower front corner, extended



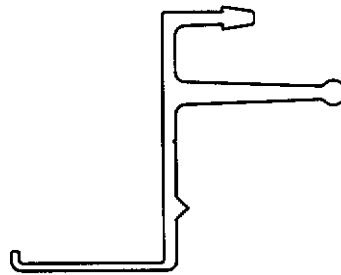
*1) 114771 Extrusion, slide out trim



2) 114770 Extrusion, slide out box (fits behind 1)



3) 114768 Extrusion, slide out corner trim

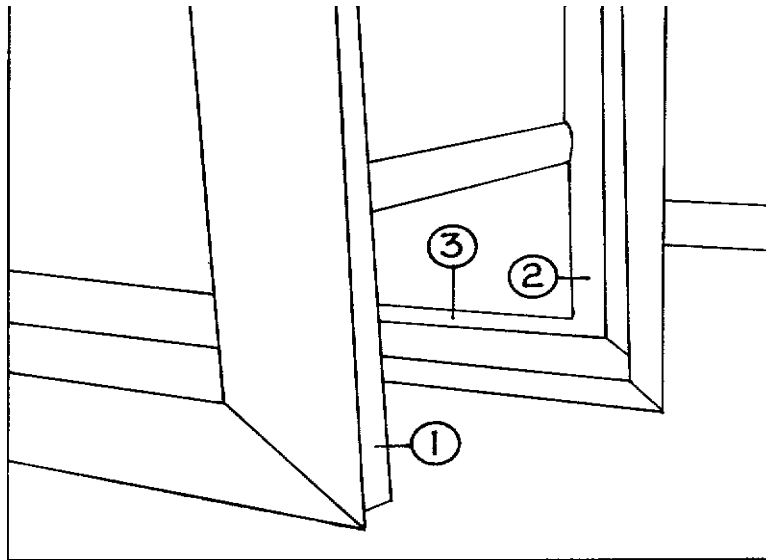


4) 114726 Extrusion, slide out frame

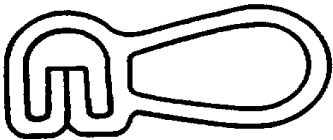
*This trim is slotted to allow adjustment to the sidewall Cutout. Fitting will be required.

1998 35' CUTTER PUSHER

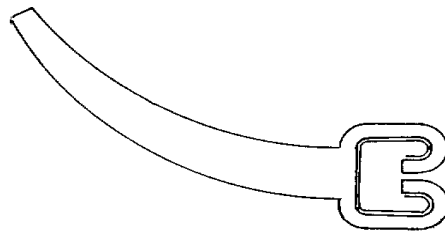
* SLIDE OUT GASKETS



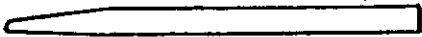
Lower rear corner, extended



- 1) 381594 Rubber extrusion
Bulb type, black



- 2) 381587 rubber extrusion, wiper



- 3) 381589 Rubber extrusion
floor wiper



- 381663 (not shown)
Rubber extrusion, bulb
w/tape-used on inside
wall

*Note: Mounting brackets can be found in hardware.

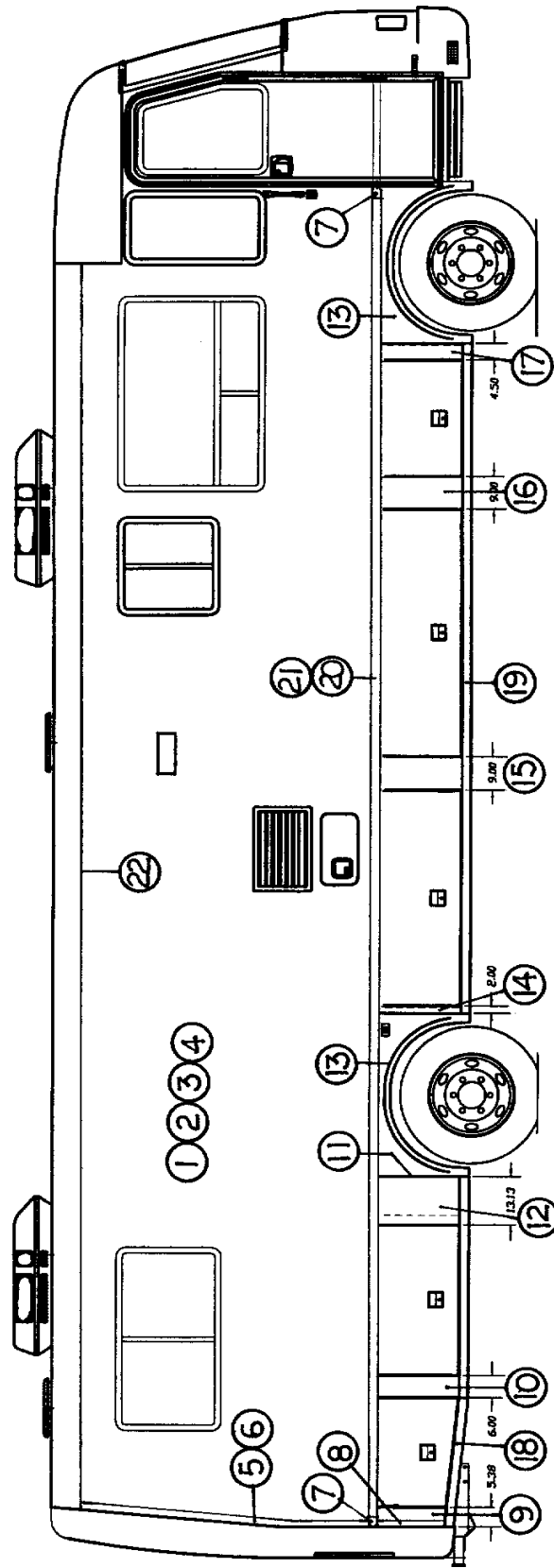
1998 35' CUTTER PUSHER

ROADSIDE WALL

(Non slide)

- 1) 801002-13 Fiberglass sheet, white, 77.5 x 400"
- 2) 915417 Weldment, RS wall, 35 Pusher
- 3) 203075 Styrofoam sheet, 1 1/2 thick
- 4) 801176-03 Paneling, interior, 1/8 x 4' x 7', G1S, Solitude
- 5) 114005-02 Extrusion, trim molding, end cap to sidewall
- 6) 320124-06 Screw, #6x1.00"cs head, stainless, white
- 7) 385983-01 End cap casting, rub rail, white
- 8) 114005-03 Extrusion, trim, lower cap to filler panel, gray
- 9) 114788-01 Filler panel, angle fwd., front, RS 4.00"
- 10) 114789-01 Filler panel, angle aft, RS, 2.50"
- 11) 203124-01 Fender skirt(front and rear are the same)
- 12) 114779-02 Filler panel, 4.50"
- 13) 114778-03 Filler panel, 9.00"
- 14) 114831 Extrusion, rub rail carrier
- 15) 203080-01 Molding, rub rail, white
- 16) 114778-03 Filler panel, 9.00"
- 17) 114780-01 Filler panel, 2.00"
- 18) 114070-02 Extrusion, J-trim, gray
- 19) 114779-04 Filler panel, 22.13"
- 20) 114778-02 Filler panel, 6.0"
- 21) 114835-01 Filler panel, angled, RS rear, 5.38"
- 22) 114570 Awning rail
- 23) 114708 Extrusion, rocker panel
- 24) 114836-01 Rocker panel Weldment, RS rear

1998 35' CUTTER PUSHER



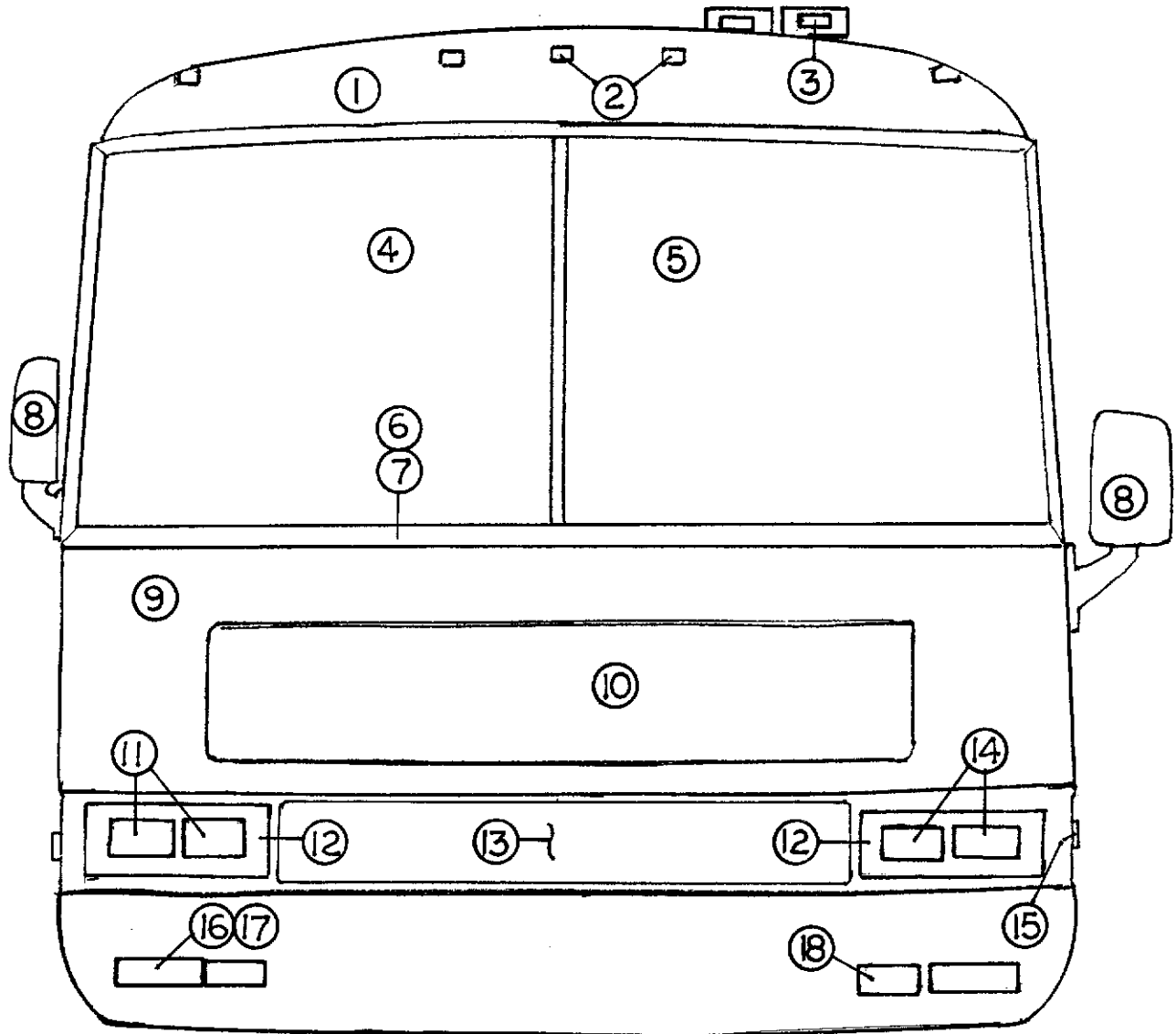
1998 35' CUTTER PUSHER

CURBSIDE WALL

(Non slide)

- | | |
|---------------|--|
| 1) 801002-13 | Fiberglass sheet, white, 77.5 x 400" |
| 2) 915418 | Weldment, CS wall, 35 Cutter Pusher |
| 3) 203075 | Styrofoam sheet, 1 1/2" thick |
| 4) 801176-03 | Paneling, interior, 1/8 x 4' x 7', G1S, Solitude |
| 5) 114005-02 | Extrusion, trim, end cap to sidewall, white |
| 6) 320124-06 | Screw, #6x1.00"cs head, stainless, white |
| 7) 385983-01 | End cap, rub rail, casting, white |
| 8) 114005-03 | Extrusion, trim, lower cap to filler panel, gray |
| 9) 114835-02 | Filler panel, CS rear, 5.38" |
| 10) 114778-02 | Filler panel, 6.00" |
| 11) 114070-02 | Extrusion, J-trim, gray |
| 12) 114780-03 | Filler panel, 13.13" |
| 13) 203124-01 | Fender skirt (Front and rear are the same) |
| 14) 114779-01 | Filler panel, 2.0" |
| 15) 114778-03 | Filler panel, 9.00" |
| 16) 114778-03 | Filler panel, 9.00" |
| 17) 114780-04 | Filler panel, 4.5" |
| 18) 114836-02 | Rocker panel Weldment, CS rear |
| 19) 114708 | Rocker panel extrusion |
| 20) 114831 | Extrusion, rub rail carrier |
| 21) 203080-01 | Molding, rub rail, white |
| 22) 114570 | Awning rail |

1998 35' CUTTER PUSHER



1998 35' CUTTER PUSHER

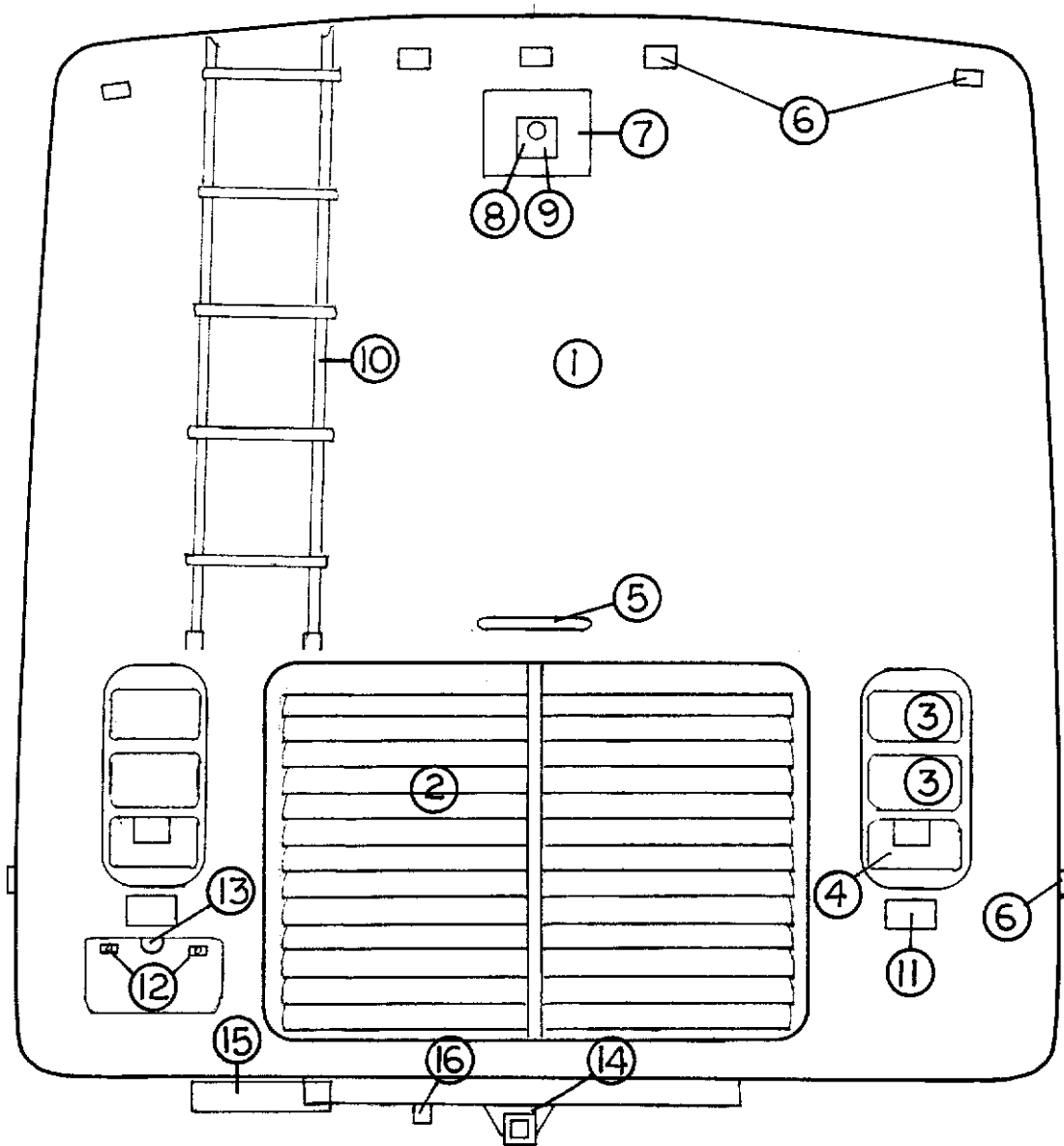
FRONT END

- | | |
|---------------|--|
| 1) 203013-02 | Front cap, Cutter |
| 2) 510984-02 | Light clearance, amber |
| 3) 510804 | Horn, air, chrome, #981-D |
| 4) 371339 | Windshield, CS |
| 5) 371338 | Windshield, RS |
| 6) 381524 | Gasket, windshields(surrounds both sides) |
| 7) 201260 | Insert rubber, windshield gaskets |
| 8) 511305 | Mirror, Velvac#2025 w/remote, pair |
| 9) 203102-02 | Nose w/bumper, 2-tone, Cutter Pusher |
| 10) 203094 | Hood, fiberglass, white |
| 11) 511246-02 | Head light, dual, RH |
| 12) 203100-03 | Bezel, headlight, RH |
| 13) 203100-04 | Bezel, headlight, LH |
| 14) 511246-01 | Head light, dual, LH |
| 15) 500982 | Light, turn & clearance, amber |
| 16) 511251-01 | Lamp, front turn and parking, w/clear lens |
| 17) 511251-02 | Socket, front turn and parking light |
| 18) 511269 | Aux. headlight kit |

Not shown:

- | | |
|-----------|-------------------------------|
| 114725-01 | Cover, A pillar, exterior, RS |
| 114830-01 | Cover, A pillar, exterior, CS |

1998 35' CUTTER PUSHER



1998 35' CUTTER PUSHER

AFT END

- | | |
|---------------|---------------------------------------|
| 1) 203136-01 | Rear cap, two tone, Cutter Pusher |
| 2) 922459-01 | Door, rear engine access, louvered |
| 3) 511239 | Light, stop, tail and turn |
| 4) 511240 | Light, stop, tail, turn and back up |
| 5) 511154-02 | Light strip, 3rd brake light 1"x10" |
| 6) 510984-01 | Light, clearance, red |
| 7) 203032 | Cover, outer, rear monitor |
| 8) 510918-01 | Monitor, rear, Sony Watchman |
| 9) 511044-03 | Actuator, two position, rear camera |
| 10) 381625 | Ladder, rear, Cutter Pusher |
| 11) 511101-01 | Light, docking, halogen, chrome bezel |
| 12) 381077 | Wellnut, license plate attachment |
| 13) 511294 | Light, license plate |
| 14) 410800 | Reese Hitch, for Cutter Pusher |
| 15) 452454 | Bracket, angle, rear ladder support |
| 16) 510863-01 | Plug, trailer |

1998 35' CUTTER PUSHER

ROOF

203024	Fiberglass sheet, roof exterior, 106"wide
114568	Extrusion, roof corner cap
114570	Extrusion, awning rail
702482	Ceiling liner, Spectra Opal
800507-01	Paneling, luan, ceiling liner backing
201728-01	Extrusion, ceiling trim retainer
201728-04	Extrusion, ceiling trim
203609	Registers, ceiling vents

1998 35' CUTTER PUSHER CHASSIS

410800	Reese hitch, Cutter Pusher
410796-08	Jack kit complete, Freightliner
453547	Bracket, L.P. tank
691601	Step assy., roof ladder
511022	Step, double, Kwikkee#4013
511078	Switch, rocker, 4-gang, by door
500982	Switch, magnetic, round, 3/8, in door jamb
511022-100	Motor, double step
511022-101	Control box, main, Kwikkee
451811	Extender, tire valve
400571	Mud flaps, Freightliner
410815	Exhaust extension 4" x 24", chrome

1998 35' CUTTER PUSHER CHASSIS

Acme
(800-552-2263)

690382-01	Heater, air conditioner evaporator
690356	Kit heater/ac accessory, Freightliner
511112	Pump, vacuum#4570568
600214-03	Heater hose 5/8
601556	Hose AC #65/16
601557	Hose AC #813/32
601558	Hose AC#125/8
690382-02	Plenum kit, Bi-level, short
452944-01	Bracket condenser mtg. LH
452944-02	Bracket condenser mtg. RH
453515	Angle, condenser mtg.
690356-100	Dryer, Acme air conditioner, Freightliner
690356-101	Resistor, blower speed control

1998 35' CUTTER PUSHER

SECTION II

D through E

DASH

Dash partsII-2

DECALS

Front and rearII-4

SideII-6

DOORS/WINDOWS/AWNINGS

RS, **slide out**II-8

CS, **slide out**II-10

RS, non-slide.....II-12

CS, non-slide.....II-14

DRAPES/BLINDS/VALANCESII-15

ELECTRICAL

110 volt.....II-16

12 volt, chassis.....II-20

Dash switches/lens.....II-21

12-volt interior switches.....II-22

12-volt interior lightsII-23

12-volt exterior lightsII-24

12-volt misc.II-25

Windshield wiper assy.....II-26

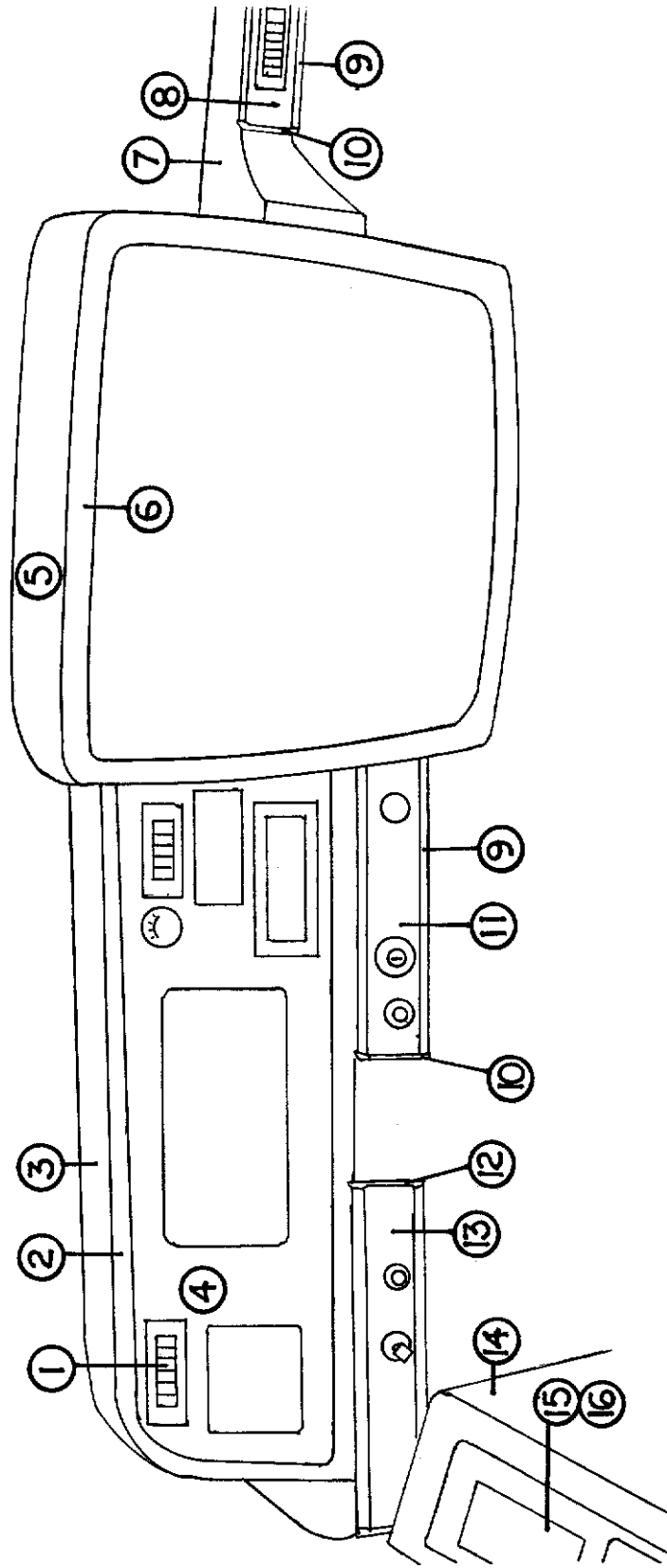
ENTERTAINMENT

TelevisionsII-28

RadiosII-28

Rear view monitorII-28

1998 35' CUTTER PUSHER



1998 35' CUTTER PUSHER

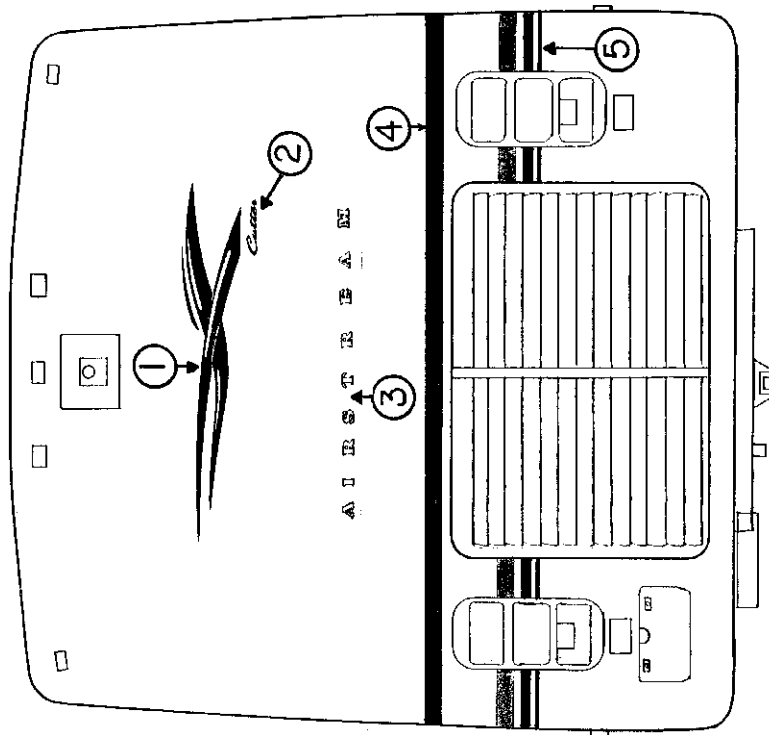
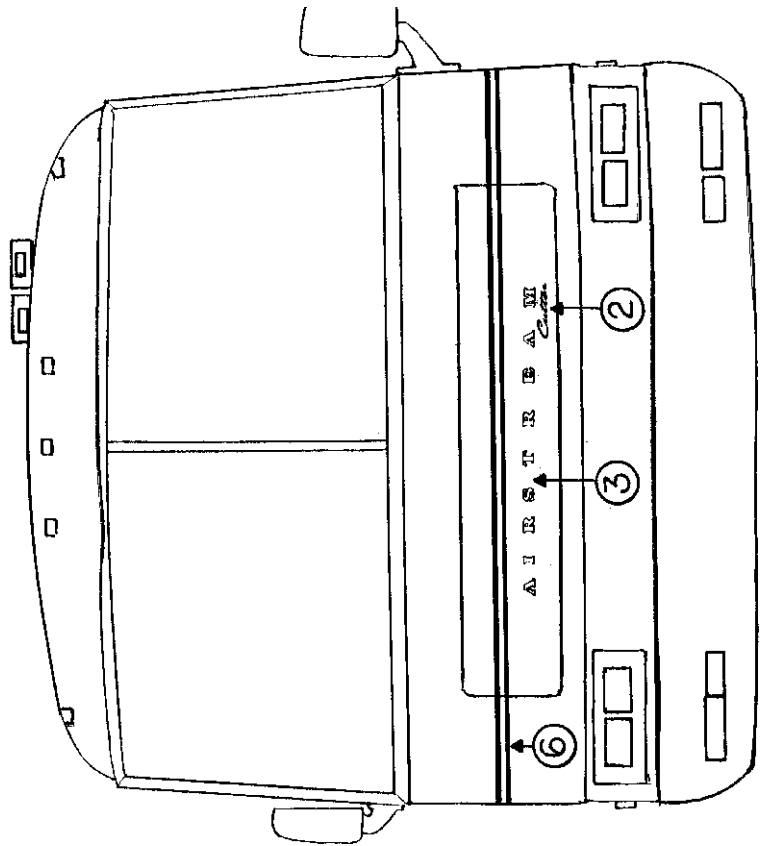
DASH

- | | |
|---------------|---|
| 1) 690325-03 | Dash louver, A/C-heater, Acme |
| 2) 203117 | Trim ring, dash instrument panel |
| 3) 203092 | Instrument pod |
| 3a) 702750 | Vinyl cover, instrument pod |
| 4) 203120-01 | Instrument panel, w/trans. temp. cut-out |
| 5) 203093 | TV housing |
| 5a) 702751 | Vinyl cover, TV housing |
| 6) 203129 | Trim ring, dash TV |
| 7) 203126 | Dash panel, main |
| 7a) 702811 | Vinyl cover, main dash |
| 8) 203137 | Panel, dash insert, CS, wood grain |
| 9) 114737 | Extrusion, dash face(holds wood grain insert) |
| 10) 114753-01 | Casting, end cap, dash extrusion, LH |
| 11) 203109-08 | Panel, dash insert, right of steering column |
| 12) 114753-02 | Casting, end cap, dash extrusion, RH |
| 13) 203109-07 | Panel, dash insert, left of steering column |
| 14) 963985-01 | Arm rest assy. roadside, Pusher |
| 15) 203111-06 | Arm rest panel, wood grain, w/LP generator |
| 16) 203111-05 | Arm rest panel, wood grain, w/diesel gen. |

Not shown:

- | | |
|-----------|--|
| 690315-05 | Defroster duct, black, windshield |
| 500972-03 | Defroster duct, gray, small, side window |

1998 35' CUTTER PUSHER



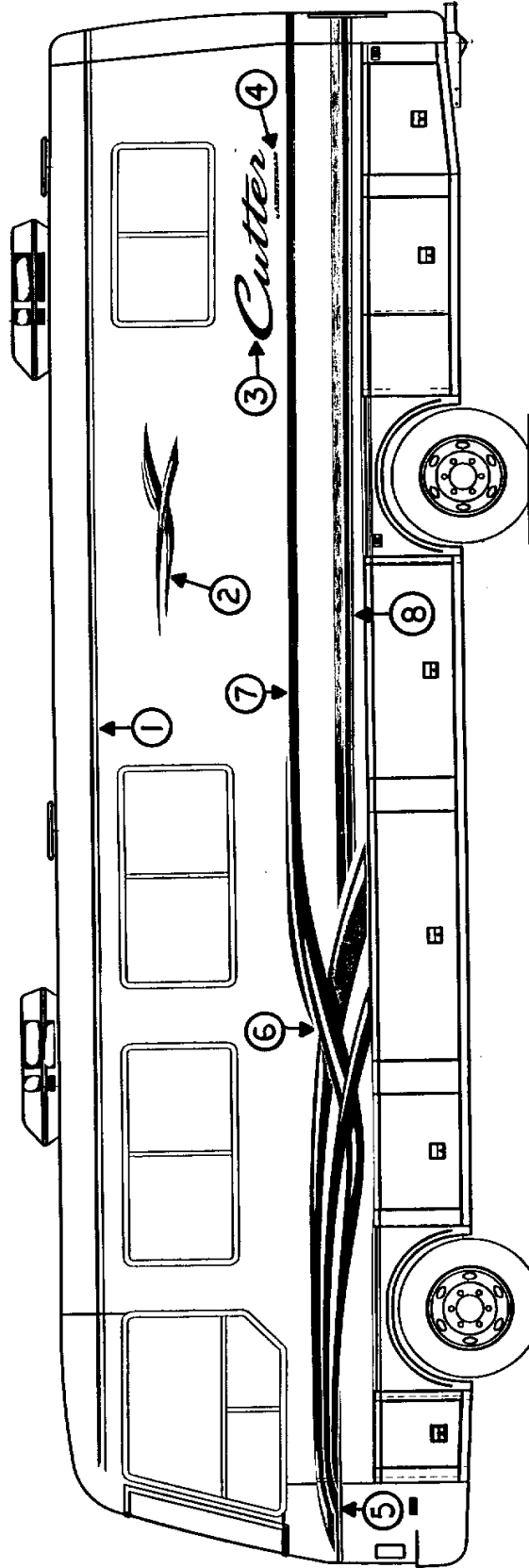
1998 35' CUTTER PUSHER

DECALS

FRONT AND REAR

- 1) 385978-01 Decal, rear graphic/upper side graphic, RS
- 2) 385981-01 Decal, Cutter logo, small, blue metallic
- 3) 385957-14 Decal, Airstream logo, 2.25 x 50.5"
- 4) 385976-01 Decal, rear upper stripe
- 5) 385975-01 Decal, rear lower stripes
- 6) 385974-01 Decal, front stripes

1998 35' CUTTER PUSHER

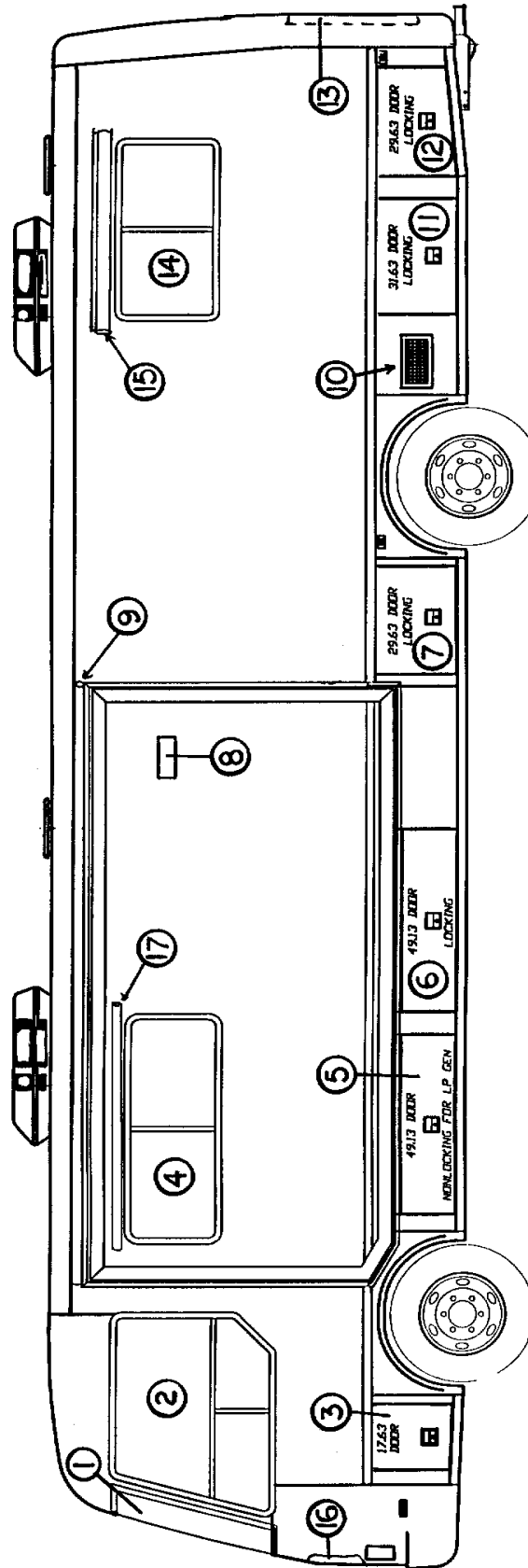


1998 35' CUTTER PUSHER

DECALS

- | | |
|---------------|-------------------------------------|
| 1) 385957-01 | Decal, top stripe, 2" |
| 2) 385978-01 | Decal, upper side graphic RS |
| 2a) 385978-02 | Decal, upper side graphic CS |
| 3) 385980-01 | Decal, Cutter logo, large |
| 4) 385957-15 | Decal, by Airstream |
| 5) 385979-01 | Decal, graphic, front end cap RS |
| 5a) 385979-02 | Decal, graphic, front end cap CS |
| 6) 385977-01 | Decal, main body graphic RS |
| 6a) 385977-02 | Decal, main body graphic CS |
| 7) 385976-01 | Decal, main body, upper rear stripe |
| 8) 385975-01 | Decal, main body, lower rear stripe |

1998 35' CUTTER PUSHER



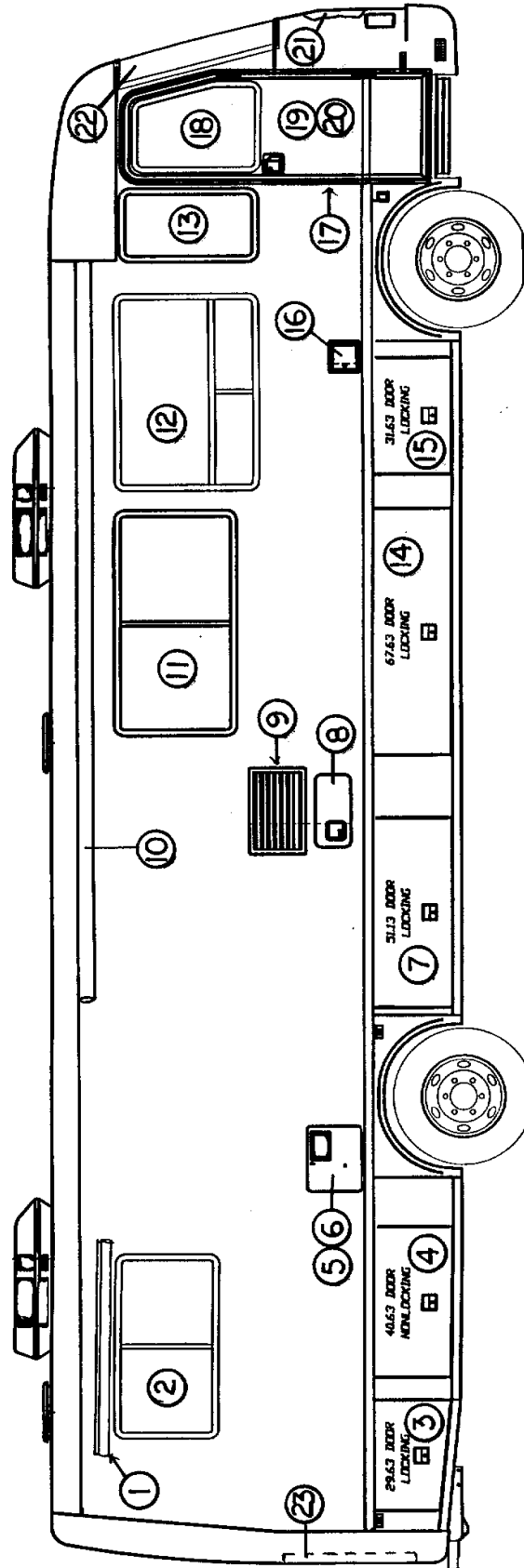
1998 35' CUTTER PUSHER

DOORS/WINDOWS/AWNINGS, **Slide out model**

(Hardware such as hinges, locks and latches are located in the **hardware** section of this book)

- | | |
|---------------|---|
| 1) 371338 | Windshield, RS |
| 2) 371365-01 | Cab window, RS |
| 3) 921174-03 | Door, lower compartment, angled, RS front |
| 4) 371366-19 | Window, RS slider, 22.75 x 60.25" |
| 5) 921176-02 | Door, lower compartment, 49.13", non-lock |
| 6) 921175-02 | Door, lower compartment, 49.13" |
| 7) 921172-06 | Door, lower compartment, 29.63" |
| 8) 511152-01 | Vent cover, range hood |
| 9) 702842-01 | Cover, roll-up, slide-out |
| 10) 921177 | Grill, air intake, engine |
| 11) 921172-01 | Door, lower compartment.31.63" |
| 12) 921174-05 | Door, lower compartment, angled, RS rear |
| 13) 922459-01 | Door, rear engine access, louvered |
| 14) 371366-22 | Window, RS slider. egress, 30.30 x 48.9" |
| 15) 702679-13 | Awning, window, 5' Blue Shadows |
| 16) 203094 | Hood, fiberglass, white |
| 17) 702679-22 | Awning, window, 6' Blue Shadows |

1998 35' CUTTER PUSHER



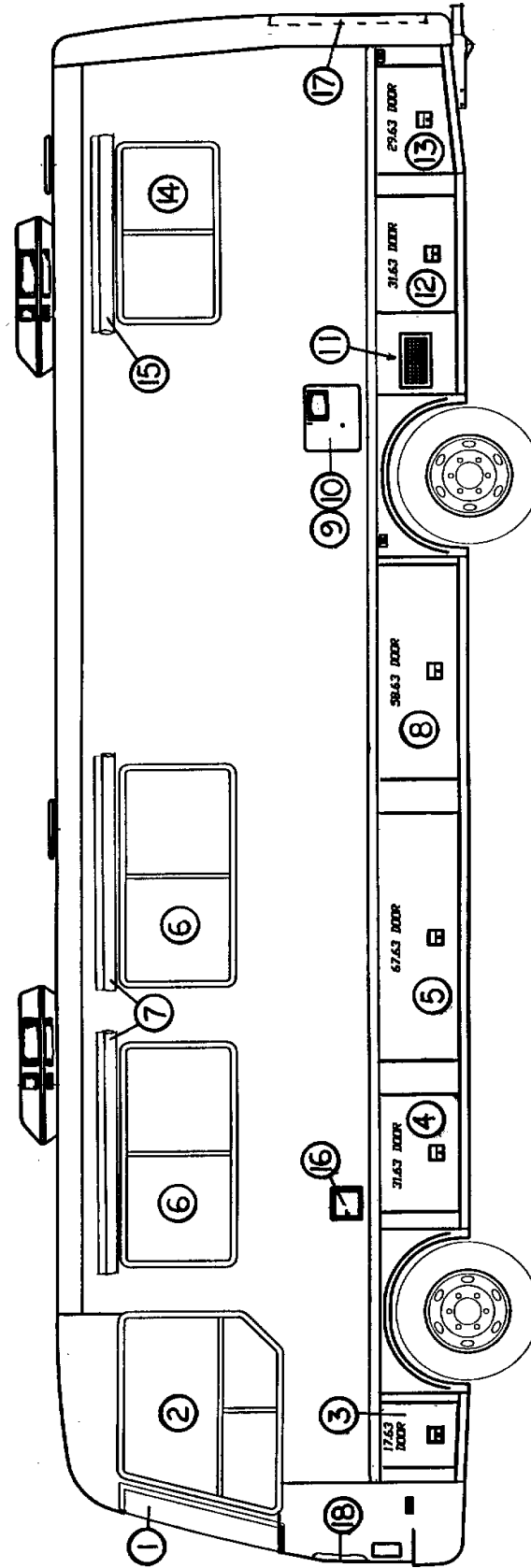
1998 35' CUTTER PUSHER

DOORS/WINDOWS/AWNINGS **Slide out model**

(Hardware such as hinges, locks and latches are located in the **hardware** section of this book)

- | | |
|---------------|--|
| 1) 702679-13 | Awning, window, 5' Blue Shadows |
| 2) 371366-21 | Window, CS slider, 30.30 x 48.88" |
| 3) 921174-06 | Door, lower compartment, angled, CS rear |
| 4) 921173-02 | Door, lower compartment, 40.63" |
| 5) 690259-05 | Access door, water heater |
| 6) 690259-06 | Mounting flange, water heater |
| 7) 921172-03 | Door, lower compartment, 51.13" |
| 8) 690274-05 | Door, Hydroflame, exterior |
| 9) 690340-03 | Refrigerator door, flush mount |
| 10) 702679-16 | Awning, patio, 17' Blue Shadows |
| 11) 371366-06 | Window, CS slider, 29.75 x 60.25" |
| 12) 371366-20 | Window, CS "T" slider, 37. x 52.75" |
| 13) 371366-15 | Window, CS , 18.5 x 35.62" |
| 14) 921172-05 | Door, lower compartment, 67.63" |
| 15) 921172-01 | Door, lower compartment, 31.63" |
| 16) 201865-02 | Fuel fill housing |
| 17) 922449 | Doorjamb |
| 18) 371366-16 | Window, angled, main door |
| 19) 922451 | Screen door assy. |
| 20) 110413 | Main door assembly |
| 21) 203094 | Hood, fiberglass, white |
| 22) 371339 | Windshield, CS |
| 23) 922459-01 | Door, rear engine access, louvered |

1998 35' CUTTER PUSHER



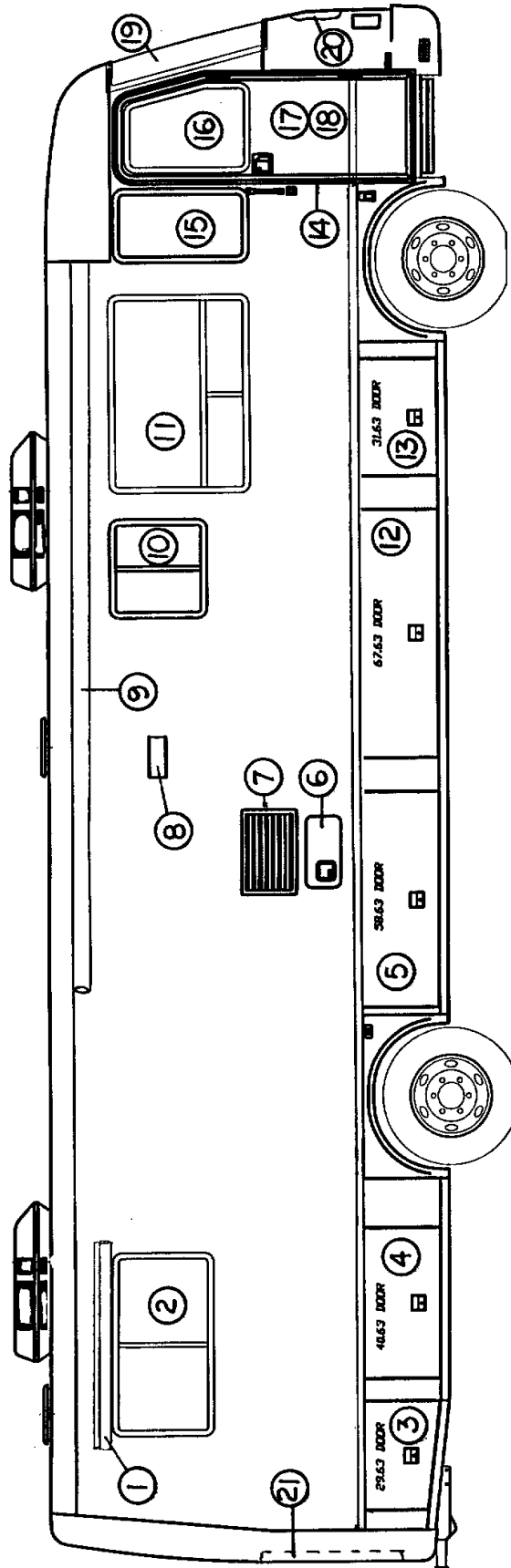
1998 35' CUTTER PUSHER

DOORS/WINDOWS/AWNINGS,

(Hardware such as hinges, locks and latches are located in the **hardware** section of this book)

- | | |
|---------------|---|
| 1) 371338 | Windshield, RS |
| 2) 371365-01 | Cab window, RS |
| 3) 921174-03 | Door, lower compartment, angled, RS front |
| 4) 921173-01 | Door, lower compartment, 31.63" non lock |
| 5) 921172-05 | Door, lower compartment, 67.63" |
| 6) 371366-05 | Window, RS slider, 29.75x60.25 |
| 7) 702679-22 | Awning, window, 6' Blue Shadows |
| 8) 921172-04 | Door, lower compartment, 58.63" |
| 9) 690259-05 | Access door, water heater |
| 10) 690259-06 | Mounting flange, water heater |
| 11) 921177 | Grill, air intake, engine |
| 12) 921172-01 | Door, lower compartment. 31.63" |
| 13) 921174-05 | Door, lower compartment, angled, RS rear |
| 14) 371366-22 | Window, RS slider. egress, 30.30x48.9" |
| 15) 702679-13 | Awning, window, 5' Blue Shadows |
| 16) 201865-02 | Fuel fill housing |
| 17) 922459-01 | Door, rear engine access, louvered |
| 18) 203094 | Hood, fiberglass, white |

1998 35' CUTTER PUSHER



1998 35' CUTTER PUSHER

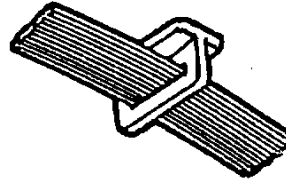
DOORS/WINDOWS/AWNINGS

(Hardware such as hinges, locks and latches are located in the **hardware** section of this book)

- 1) 702679-13 Awning, window, 5' Blue Shadows
- 2) 371366-21 Window, CS slider, 30.30x48.88"
- 3) 921174-06 Door, lower compartment, angled, CS rear
- 4) 921173-02 Door, lower compartment, 40.63"
- 5) 921172-04 Door, lower compartment, 58.63"
- 6) 690274-05 Door, Hydroflame, exterior
- 7) 690340-03 Refrigerator door, flush mount
- 8) 511152-01 Vent cover, range hood
- 9) 702679-16 Awning, patio, 17' Blue Shadows
- 10) 371366-09 Window, CS slider, 25.25x25.75"
- 11) 371366-20 Window, CS "T" slider, 37.x52.75"
- 12) 921172-05 Door, lower compartment, 67.63"
- 13) 921172-01 Door, lower compartment, 31.63"
- 14) 922449 Doorjamb
- 15) 371366-15 Window, CS, 18.5 x 35.62"
- 16) 371366-16 Window, angled, main door
- 17) 110413 Main door assembly
- 18) 922451 Screen door assy.
- 19) 371339 Windshield, CS
- 20) 203094 Hood, fiberglass, white
- 21) 922459-01 Door, rear engine access, louvered

1998 35' CUTTER PUSHER

DRAPES/BLINDS/VALANCES



101220
track, stand off

101217
track, curtain

700044
glides, w/elastic "T"

200784 End, curtain track, CS
200785 End, curtain track, RS
702878-04 Drapes, front windshield
702818 Shade, Kool Screen, black, cab

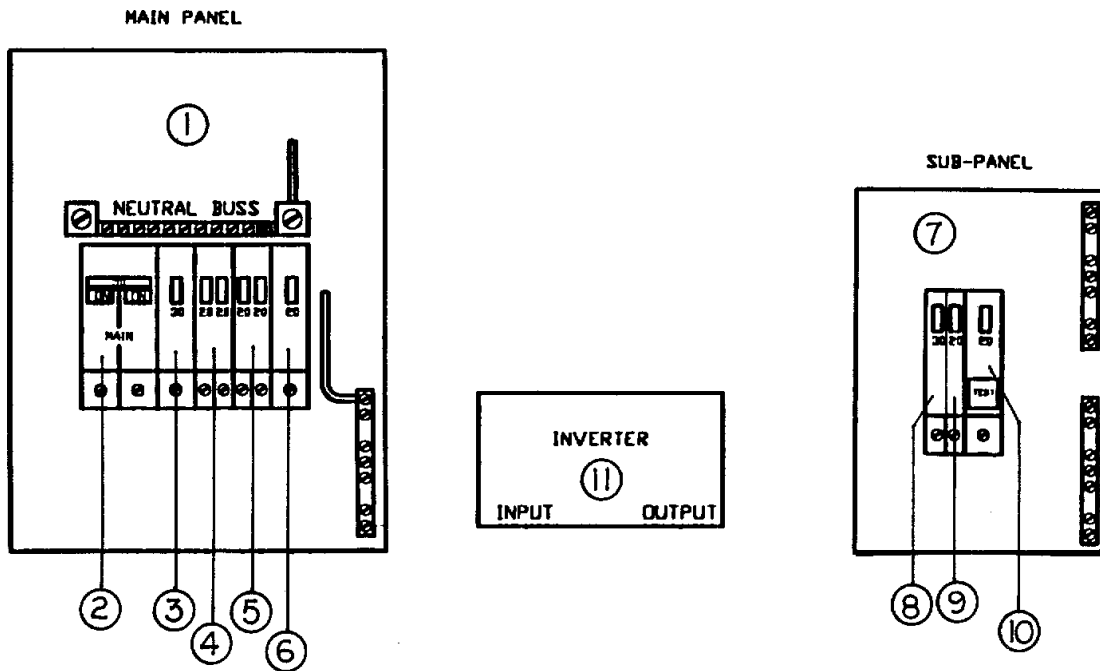
702789-28	Shade, pleated, night	50.0 x 32.5"
702383-04	Shade, pleated, day/night	27.0 x 27.5"
702383-19	Shade, pleated, day/night	61.25 x 33.5"
702383-05	Shade, pleated, day/night	27.25 x 33.5"
702383-25	Shade, pleated, day/night	53.75 x 40.75"
702383-26	Shade, pleated, day/night	61.25 x 27

385963 Bracket, valance mounting, side
964117-01 Valance, galley 29.0 wide x 26.25 high
964121-04 Valance, dinette CS 64.25" wide
964464-01 Valance, bedroom CS 53"
964464-02 Valance, bedroom RS 53"
964123 Valance, lounge CS 56.75"
964121-01 Valance, lounge/dinette, RS 64.25"
964121-02 Valance, lounge, RS 64.25"

1998 35' CUTTER PUSHER

*ELECTRICAL

110 VOLT



- 1) 510723 Breaker box, main, Square D
- 2) 510724 Breaker, double pole, 50 amp, Square D
- 3) 510663 Breaker, 30 amp, Square D
- 4) 510662 Breaker, double pole, 20/20, Square D
- 5) 510662 Breaker, double pole, 20/20, Square D
- 6) 510678 Breaker, 20 amp, Square D

- 7) 511041 Breaker box, sub-panel, Westinghouse
- 8) 510564-02 Breaker, 30 amp, Bryant
- 9) 510564-01 Breaker, 20 amp, Bryant
- 10) 510564-20 Breaker, 20 amp, GFI, Bryant

- 11) 511332-01 Inverter/charger, Trace 1500 watt
not shown:
511332-02 Switch, on/off, remote, Trace
511332-03 Fuse holder, 200 amp, Trace

*See ENTERTAINMENT section for radio, VCR, TV, antennas etc.

1998 35' CUTTER PUSHER

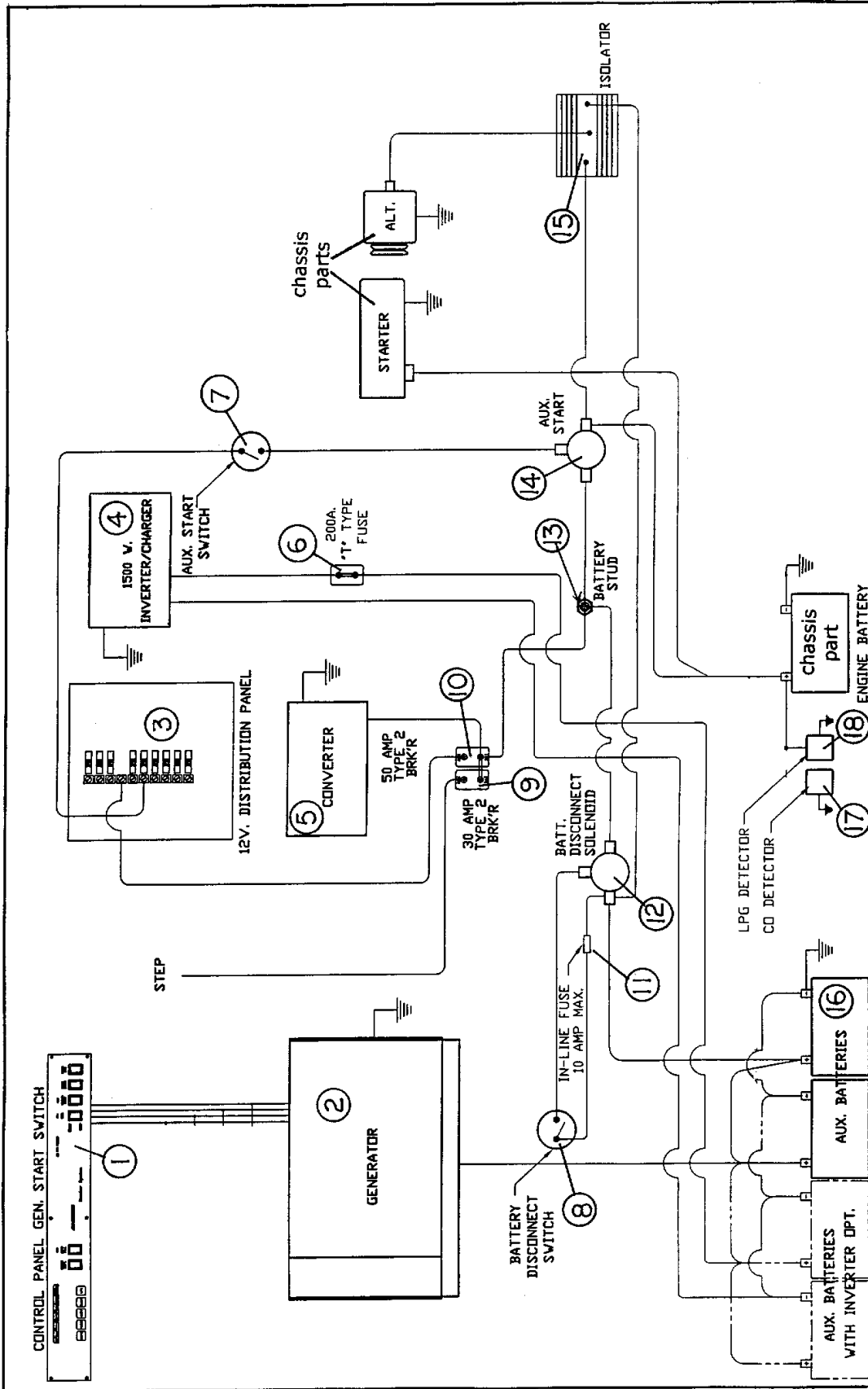
ELECTRICAL

110 VOLT

511149-04	Power cord, 50 amp w/male end
510562-03	Switch over box, 50 amp, city power to gen.
511020	Generator, Onan Marquis, 6.5 LP
510103	Hour meter, Hobbs
511278	Lock out, 110 sot disconnect
510676-01	Outlet, exterior, gray, 110 volt
500785	Outlet, duplex brown
511023	Tester, circuit analyzer, 3-wire (provided loose in vehicle)

1998 35' CUTTER PUSHER
NOTES

1998 35' CUTTER PUSHER



1998 35' CUTTER PUSHER

*ELECTRICAL 12 VOLT-CHASSIS

- | | |
|---------------|---|
| 1) 511017-16 | Monitor panel |
| 2) 511020 | Generator, Onan Marquis, 6.5 LP |
| 3) 511016 | Fuse block, 12 volt, 9 position, ATC type |
| 4) 511332-01 | Inverter/charger, Trace 1500 watt |
| 5) 500984-04 | Converter, #PC-50 (not used with Trace) |
| 6) 511332-03 | Fuse holder, 200 amp, Trace |
| 7) 510929-02 | Switch, auxiliary start, momentary, SPST |
| 8) 962203 | Battery disconnect switch (part of four gang switch cluster at main door) |
| 9) 500475-30 | Breaker, 12 volt DC, 30 amp, w/ears |
| 10) 510947-50 | Breaker, 12 volt DC, 50 amp |
| 11) 510696 | Fuse holder, in-line |
| 12) 511351 | Solenoid, latching, cont. duty, kill switch |
| 13) 511090 | Junction block, stud type |
| 14) 511199 | Solenoid, continuous duty, aux. start |
| 15) 510642 | Isolator, 120 amp |
| 16) 511132 | Battery, deep cycle |
| 17) 511343 | Detector, carbon monoxide |
| 18) 511309 | Detector, LPG |

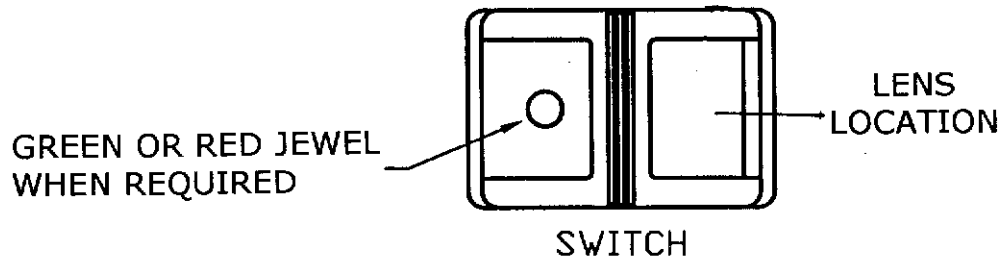
*See ENTERTAINMENT section for radio, VCR, TV, antennas etc.

1998 35' CUTTER PUSHER

ELECTRICAL

12 VOLT-*DASH & ARM REST

- 510596 Cigarette lighter
- 510807 Outlet, 12 volt, lighter receptacle
- 511276 Cover, 12 volt outlet, black



- 510929-06 Switch, TV speaker, SPST
- 510929-02 Switch, auxiliary start, momentary, SPST
- 510929-08 Switch, rear camera, momentary, DPDT
- 510929-05 Switch, driving light, aisle light, galley light, defrost fan, on-off, SPST
- 510929-07 Switch, docking light, inverter, on-off with red indicator light, SPST
- 381321-03 Switch, remote exterior mirror

*Note: the chassis manufacturer provides Engine check and head light switches.

1998 35' CUTTER PUSHER

12VOLT-DASH SWITCH LENS

510930-02	Lens, door lock
510930-06	Lens, aisle light
510930-32	Lens, galley light
510930-33	Lens, auxiliary start
510930-03	Lens, generator
510930-37	Lens, auxiliary headlight
510930-36	Lens, exhaust brake
510930-25	Lens, rear camera
510930-07	Lens, docking light
510930-31	Lens, TV speaker
510930-35	Lens, defrost fan

12 VOLT-INTERIOR SWITCHES

511385-01	Switch, electric source selector, Sony
511325	Switch body with rocker switches, 4-gang by main door
511326	Switch cover, 4 gang printed white, at door
511329	Switch, rocker, SPDT, white, hallway
511327	Switch body w/rocker, single, rear ceiling light
511328	Switch cover, printed white, rear ceiling light
381541-02	Switch, roof vent, bathroom
510868	Switch, 4 gang, bathroom
500933	Switch , water heater

1998 35' CUTTER PUSHER

ELECTRICAL

12 VOLT-INTERIOR LIGHTS

500960-02 680085	Light, fluorescent, recessed, 20.63" Bulb, fluorescent, #F8T5-CW
500960-01 680084	Light, fluorescent, recessed, 14.75" Bulb, fluorescent, #F8T5-CW
511387 50085-02	Light, decorative, dinette, Acrylic Tiffany Bulb, incandescent, #1141
511298 511298-02 510689	Wall lamp, 12 volt Shade, wall lamp, round Bulb, incandescent, #1076
511248 50085-02	Light, incandescent single, square Bulb incandescent, #1141
500842 680084	Light, fluorescent, 12x5.5x1" Bulb, fluorescent, F8T5-CW
511361	Light, courtesy, flush mount, walkway, black (no separate bulb)
511374	Light, 5", cab stalk light, black (no separate bulb)
500956 681924	Light, wardrobe w/switch Bulb, wardrobe light, #581

1998 35' CUTTER PUSHER

ELECTRICAL

12 VOLT-EXTERIOR LIGHTS

511163	Light, compartment
510672-02	Porch light, white(high on side of unit)
510732	Utility light#1327 (by door)
511101-01	Light, docking, halogen, chrome bezel
511239	Light, stop, tail and turn
511240	Light, stop, tail, turn and back up
511154-02	Light strip, 3rd brake light, 1"x10"
510984-01	Light, clearance, red
511294	Light, license plate
511246-02	Head light, dual, RH
203100-03	Bezel, headlight, RH
203100-04	Bezel, headlight, LH
511246-01	Head light, dual, LH
500892	Light, turn & clearance, amber
511251-01	Lamp, front turn and parking, w/clear lens
511251-02	Socket, front turn and parking light
510984-02	Light, clearance, amber
511269	Driving light kit.#C1050K
510844-01	Relay, Bosch, driving light

1998 35' CUTTER PUSHER

ELECTRICAL

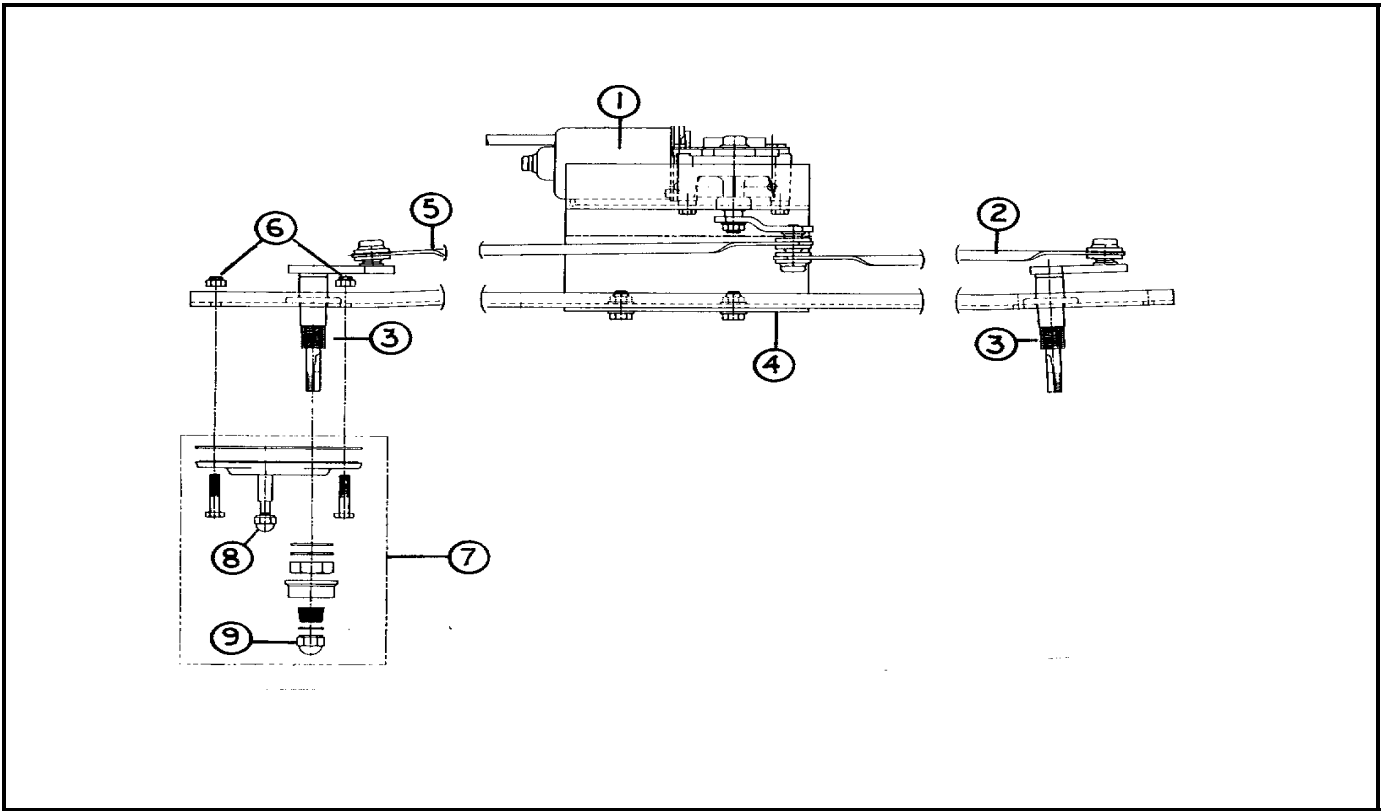
12 VOLT-MISC. EQUIPMENT

510804	Air horn, chrome #981-1
510804-01	Elbow kit, air horn
511305	Mirrors, exterior, Velvac w/remote, pr.
381321-03	Switch, remote, exterior mirrors
511324	Contact, wireless, 4 piston, door jamb
511017-06	Monitor panel
511162-01	Keyless entry w/remote
511162-02	Transmitter, 4 channel
510802-01	Actuator, door lock, 5 wire
511141	Solar panel, 5 watt
511140	Volt meter, solar panel
510781	Detector, smoke
511309	Detector, LPG
511343	Detector, carbon monoxide

(Continued)

1998 35' CUTTER PUSHER

ELECTRICAL WIPER ASSEMBLY



- | | |
|---------------|---|
| 1) 510795-118 | Motor assy., E-005-308 |
| 2) 510795-119 | Conlink assy., R.S. L1/3B4/3/22.00 |
| 3) 510795-105 | Idler/HSG assy. (pivot shaft) GS-2967 |
| 4) 510795-120 | Mounting bracket, S-547 |
| 5) 510795-121 | Conlink assy., C.S.L1/3d3/3/22.00 |
| 6) 510795-122 | Lock nut 1/4"-28 |
| 7) 510795-123 | Outer hardware G-S-2656 |
| 8) 510795-115 | Acorn nut, small, pantograph arm to pivot plate |
| 9) 510795-114 | Acorn nut, large, pantograph arm to pivot plate |

(Continued)

1998 35' CUTTER PUSHER

ELECTRICAL

WIPER ASSEMBLY

Parts not illustrated

510795-107	Wiper blade refill
510795-101	Wiper blade and bridge
510795-104	Pantograph arm assembly
510675-01	Switch, wiper w/delay
511233-01	Module, wiper delay

1998 35' CUTTER PUSHER

ENTERTAINMENT

510788-01	Antenna, TV, Winegard
510788-03	Amplifier, TV antenna
500976	Outlet, TV jack
500996	Jack, TV/phone, gray
500994	Antenna, radio
690330-02	TV, Panasonic 13", rear bedroom
453517	Clip, TV retainer
801232	Close out, rear TV, oak, 16.25wx15.25h
690385	TV, Audiovox, 19", dash
203129	Trim ring, dash TV
690337	Video cassette player, Audiovox
511310	Video control center
511383-01	Radio w/cassette/changer, XR C6100
511048	Speaker, Coustic, #HS-402
511385	Mobile theater sound system, Sony
511383-02	Remote control, Sony, wireless
511385-02	Amplifier module, Theater sound system
511385-03	Cube speakers w/bracket, black
511385-04	Speaker, 6" x 9", Theater sound
511385-05	Grill, for 6" x 9" speaker
511191	CD changer, 10 disc, Sony CDX-715
510918-01	Monitor, Sony Watchman
510929-08	Switch, momentary, rear camera
511044-03	Actuator, two position, rear camera
201888	Closeout, monitor camera, interior
203030	Close out monitor camera, exterior
201843	Lens, back-up monitor

1998 35' CUTTER PUSHER

SECTION III

F through H

FASTENERS (common fasteners available locally are not listed)

Rivets.....	III-1
Screws	III-3

FLOOR COVERING

Carpet.....	III-4
Hardwood flooring.....	III-4
Tile	III-4
Mats	III-4

FURNITURE

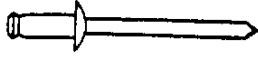
Interior doors.....	III-5
Mirrors	III-6
Drawer face	III-7
Drawer box	III-7
Bedroom furniture.....	III-8
Bath, non slide	III-9
Bath, slide out	III-10
Galley, slide out	III-11
Galley, non slide	III-13
Lounge, slide out	III-15
Lounge, non slide.....	III-16
Cab	III-17

HARDWARE

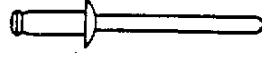
Exterior locks	III-18
Main door/screen door	III-19
Exterior access doors.....	III-20
Slide out room.....	III-22
Awning hardware	III-24
Interior hardware.....	III-25

1998 35' CUTTER PUSHER

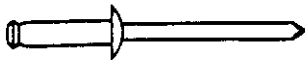
*FASTENERS



330126-02
rivet, pop, dia. 1/8"
grip range .126-.187
stainless steel body
stainless steel mandrel



330126-03
rivet, pop, dia 1/8"
grip range .126-.250
stainless steel body
stainless steel mandrel



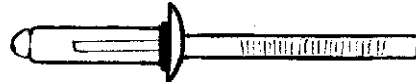
330136-04
rivet, pop, dia. 1/8"
grip range .313-.375
stainless steel body
stainless steel mandrel



330031-03
rivet, pop, dia 3/16"
grip range .125-.250
stainless steel body
stainless steel mandrel



330031-03
rivet, pop
dia. 3/16"
grip range .126-.250
stainless steel body
steel mandrel

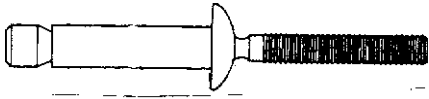


320108-01
rivet, bulb tite, w/washer
dia. 3/16"
grip range .050-.187
aluminum body
aluminum mandrel

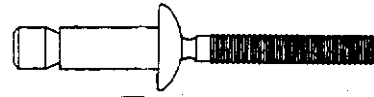
*Common bolts and screws readily available at local hardware outlets have not been listed.

1998 35' CUTTER PUSHER

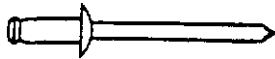
*FASTENERS



330139-02
dia. 1/4"
grip range .350-.625
stainless steel body
stainless steel mandrel



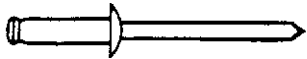
330139-01
dia. 1/4"
grip range .080-.375
stainless steel body
stainless steel mandrel



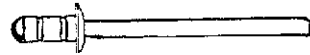
330127-03
dia. 1/8"
grip range .063-.125
aluminum body
aluminum mandrel



300101
1/8" I.D.
washer, aluminum



330127-05
dia. 1/8"
grip range .251-.312
aluminum body
aluminum mandrel



330137
dia. 1/8"
grip range .039-.189
aluminum body
steel mandrel

*Common bolts and screws available at local hardware outlets have not been listed.

1998 35' CUTTER PUSHER

*FASTENERS



320122
screw, pan head, Phillips
black
#4 x 1/8" (glove box tray)



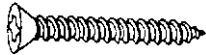
320114-04
screw wood oval head, Phillips
antique brass
#5 x 1/2"



320114-05
screw wood, oval head, Phillips
antique brass Phillips stainless steel
#5 x 5/8"



320115-06
screw, wood, flat head,
Phillips stainless steel
#6 x 1.00"



320124-06
screw, flathead, Phillips
stainless w/white head

*Common bolts and screws readily available at local hardware outlets have not been listed.

1998 35' CUTTER PUSHER

FLOOR COVERING

702793-02*	Carpet, Regal/Nautical Blue 96" wide
700173	Carpet padding
801115	Floor, hardwood, quartered oak
800639-02	Adhesive, oak plank
360216	Caulk, brown, acrylic latex
701538	Carpet, Velour gray, storage compartments
201763	Rub strip, baggage compartment
702903-01	Tile, Idaho Beige-13x13
702903-02	Thin set, glue, powder form
702903-03	Matt, tile support
702903-04	Epoxy grout
702903-05	Schluter strip
702549	Matt, entrance, w/Airstream logo

*See sample chart provided to your sales department for more carpet and upholstery part numbers.

1998 35' CUTTER PUSHER

FURNITURE DOORS-INTERIOR

		Inches
801158-21	Door frame, smooth	9.75 x 33.00
801158-16	Door frame, smooth	11.5 x 17.5
801158-15	Door frame smooth	11.5 x 19.50
801158-13	Door frame, smooth	11.75 x 42.0
801158-20	Door frame, smooth	12.75 x 60.12
801158-01	Door frame, smooth	19.0 x 60.12
801157-22	Door, raised panel	10.0 x 13.75
801157-19	Door, raised panel	11.5 x 18.0
801157-23	Door, raised panel	18.50 x 11.50

MISCELLANEOUS DOORS

801225-01	Door panel, refrigerator, upper, oak	
801225-03	Door panel, refrigerator, lower, oak	
964413-03	Door, slider, bath, 35 w/slide-out	
986265	Door, sliding, bathroom, 35 non slide-out	
702668	Shower door w/post, gold, 35 non slide-out	
702416-02	Shower door, neo angle, bronze, 35 w/slide-out	
702681	Foldette door, Irvine	
381563-01	Track, formed, foldette door	
381563-02	Track curved, foldette door	
801188-03	Door louvered, oak, 33" x 12"	

1998 35' CUTTER PUSHER
FURNITURE

MIRRORS

		Inches
372210-01	Mirror, beveled 4 sides	6.88 x 30.13
372210-02	Mirror, beveled 4 sides	8.62 x 16.62
372210-03	Mirror, beveled 4 sides	8.88 x 39.13
372212-01	Mirror, beveled 2 sides	12.25 x 25.0
372208-03	Mirror, bronze, w/groove	8.62 x 14.62
372208-01	Mirror, bronze, w/groove	16.0 x 20.0
371262-03	Mirror, safety glass (bath)	9.88 x 28.13
371262-15	Mirror, safety glass	10.56 x 17.12
371262-10	Mirror, safety glass	16.13 x 28.13
372203-12	Mirror safety glass	19.5 x 30.0

1998 35' CUTTER PUSHER

FURNITURE

DRAWER FACES

801156-93	Drawer face, smooth4.50x16.0
801156-101	Drawer face , smooth4.75x19.0
801156-99	Drawer face, smooth4.75x21.5
801156-13	Drawer face, smooth7.0x11.75
800156-94	Drawer face, smooth7.0x16.0
801156-63	Drawer face, smooth7.0x19.0
801156-100	Drawer face, smooth7.0x21.5
801156-01	Drawer face, smooth10.5x24.75
801156-50	Drawer face, smooth11.75x20.62
801156-64	Drawer face, smooth11.75x29.5
801156-96	Drawer face, smooth13.75x29.5

DRAWER BOXES

962821-17	Drawer box2.88x14x13.25
962821-57	Drawer box2.88x16.75 x 12.0
962821-55	Drawer box2.88x14.0x17.0
962821-25	Drawer box2.88x18.0x19.5
962821-60	Drawer box5.00x8.5x18.0
962821-05	Drawer box5.00x10.0x18.0
962821-58	Drawer box5.00x12.0x16.75
962821-16	Drawer box5.00x14.0x13.25
962821-23	Drawer box5.00x14.0x17.0
962821-07	Drawer box5.00x19.5x18.0
962821-13	Drawer box9.00x13.25 x20.0
962821-56	Drawer box9.00x14.0x22.62
962821-59	Drawer box9.00x19.5x14.0
962821-04	Drawer box9.00x22.0x18.62
964008	Lounge drawer box

1998 35' CUTTER PUSHER

FURNITURE

REAR BEDROOM

963959-02	Wardrobe, CS rear
964429	Face frame, CS rear wardrobe
962818-01	Frame, wardrobe shelf
381527	Speedy shelf strip
963959-01	Wardrobe, RS rear
964428	Face frame, RS rear wardrobe
962818-01	Frame, wardrobe shelf
381527	Speedy shelf strip
963861-01	Roof locker, rear
964430-01	Face frame, rear roof locker
381449-05	Rail, decorative, brass
381449-05	Post, decorative rail, brass
963957-03	Bed assembly
964061	Engine box assembly
964062	Top, engine box
964063-01	Side, RH engine box
964063-02	Side, LH engine
963941	Forward wall, engine box
801232	Close out. TV, oak, 16.25 x 15.25
453517	Clip, TV retainer

1998 35' CUTTER PUSHER

FURNITURE

*BATH, 35 PUSHER
(Non-slide model)

963787-01	Jamb, bath door/shower trim
963788-01	Header, bath door
203037	Shower/tub, fiberglass
203146	Shower cap, plastic
964023	Corner close-out, bath
203148-01	Skylight, heavy duty, 14.5 x 22.5
203148-02	Trim inner dome, skylight
381541-06	Roof vent w/power lift
963930-01	Medicine cabinet assembly, 41 x 35
964433	Face frame, medicine cabinet
964076	Laundry/TV cabinet assembly
964437	Face frame, laundry/TV cabinet
964086-01	Lavy cabinet assembly
964438	Face frame, lavy cabinet
964374-01	Lavy top, Corian
964075	Wardrobe assembly, CS
964436	Face frame, CS wardrobe

*Bath fixtures may be found in hardware--if connected to drains or water look in plumbing.

1998 35' CUTTER PUSHER

FURNITURE

*BATH, 35 PUSHER
(slide out model)

201999	Shower stall, almond
201902	Ceiling liner, shower
381631-01	Sky light, plastic, neo angle, 22x22
203154-01	Inner dome, sky light, neo angle
964178	Laundry/TV cabinet
964437	Face frame, TV/laundry cabinet
964195-01	Lavy assembly
964422	Face frame, lavy
964366-01	Lavy top, Corian
964180	Wardrobe assembly, CS
964420	Face frame, CS wardrobe assembly
964193	Medicine cabinet, forward assembly
962674-01	Face frame, forward medicine cabinet
964194	Medicine cabinet, aft assembly
962728-01	Face frame, aft medicine, cabinet assembly

*Bath fixtures may be found in the hardware section if connected to or drains water look in plumbing.

1998 35' CUTTER PUSHER

FURNITURE

GALLEY AREA-35'W/SLIDE OUT

964494	Dinette seat base, RH
964496	Dinette back, RH
964698	Dinette cushion support, RH, 37.63
964334-04	Flex spring seat, 20.25 x 38.0
964695	Dinette seat base, LH
964497	Dinette back, LH
964499	Dinette cushion support, LH 37.63
964334-04	Flex spring seat, 20.25 x 38.0
962720	Dinette table, fixed
801054	Table top, NoMar finish, 24"
922177-03	Leg, hardwood, 30.50
963654-02	Backsplash, dinette table
963374-03	Roof locker, dinette aft
962709-01	Face frame, dinette roof locker, aft
963374-04	Roof locker, dinette, forward
962708-01	Face frame, dinette roof locker, forward
963855-01	Roof locker, dinette, center
963872-01	Face frame, dinette roof locker, center
964216	Microwave cabinet
964417	Face frame, micro wave cabinet
964074-01	Refrigerator cabinet w/pantry
964424	Face frame, refrigerator cabinet w/pantry
381551-01	Pantry rack
381551-02	Wire basket

(Continued)

1998 35' CUTTER PUSHER

FURNITURE

GALLEY AREA-35'W/SLIDE OUT

964213	Galley assembly , forward
964424	Face frame, forward galley assembly
964214	Galley assembly, aft
964419	Face frame, aft galley assembly
964381-01	Galley top, Corian
601497-01	Sink, porcelain, almond
964348-01	Sink cover, Corian
964215	Roof locker, galley
964418	Face frame, galley roof locker
963990	Magazine rack
381577-01	Print, framed

1998 35' CUTTER PUSHER

FURNITURE

GALLEY AREA-35' NON SLIDE

964494	Dinette seat base, RH
964496	Dinette back, RH
964698	Dinette cushion support, RH, 37.63
964334-04	Flex spring seat, 20.25 x 38.0
964695	Dinette seat base, LH
964497	Dinette back, LH
964499	Dinette cushion support, LH 37.63
964334-04	Flex spring seat, 20.25 x 38.0
962720-04	Dinette table assembly
801049	Table top, Resistovar, 26"
962177-03	Leg, hardwood, 30.50"
963654-02	Back splash, dinette table
964088-02	Roof locker, dinette, 75"
964439	Face frame, dinette roof locker
963619-02	Microwave cabinet assembly
961039	Face frame, microwave cabinet
964074	Refrigerator cabinet w/pantry
964421	Face frame, refrigerator cabinet w/pantry
381551-01	Pantry rack
381551-02	Wire basket
963852-02	Galley assembly
964434	Face frame, galley assembly
964390-01	Galley top, Corian
601497-01	Sink, porcelain, almond
964348-01	Sink cover, Corian

(Continued)

1998 35' CUTTER PUSHER

FURNITURE

GALLEY AREA-35' NON SLIDE

963623	Pull out pantry assembly, 16"
963624	Face frame, pull out pantry
381491	Trash can-roll out
963555	Galley roof locker
964431	Face frame, galley roof locker
963415	End cap, RH
963816-02	Face frame, end cap
963990	Magazine rack
963991	Spice rack
381577-01	Print, framed

1998 35' CUTTER PUSHER

FURNITURE

LOUNGE AREA-35' W/SLIDE OUT

964191	Roof locker, lounge, 59"
964425	Face frame , lounge roof locker
964196	Roof locker, lounge, 68.5"
964423	Face frame, lounge roof locker, 68.5"
702901-01	Swivel chair, Villa
702899-318	Sofa, jackknife, 68", Villa
964210	End table
964416	Face frame, end table
964260	Top, end table

1998 35' CUTTER PUSHER

FURNITURE

LOUNGE AREA-35' NON SLIDE

964089	Roof locker, 57.5"
964440	Face frame, 57.5" locker
964088-01	Roof locker, 75.0"
964439	Face frame, 75.0"locker
702900-318	Sofa, jackknife, 74", Villa
702901-01	Swivel chair, Villa
964210	End table assembly
964416	Face frame, end table
964260	Top, end table
964090	Hutch, upper
964441	Face frame, upper hutch
964091	Hutch, lower
964442	Face frame, lower hutch

1998 35' CUTTER PUSHER

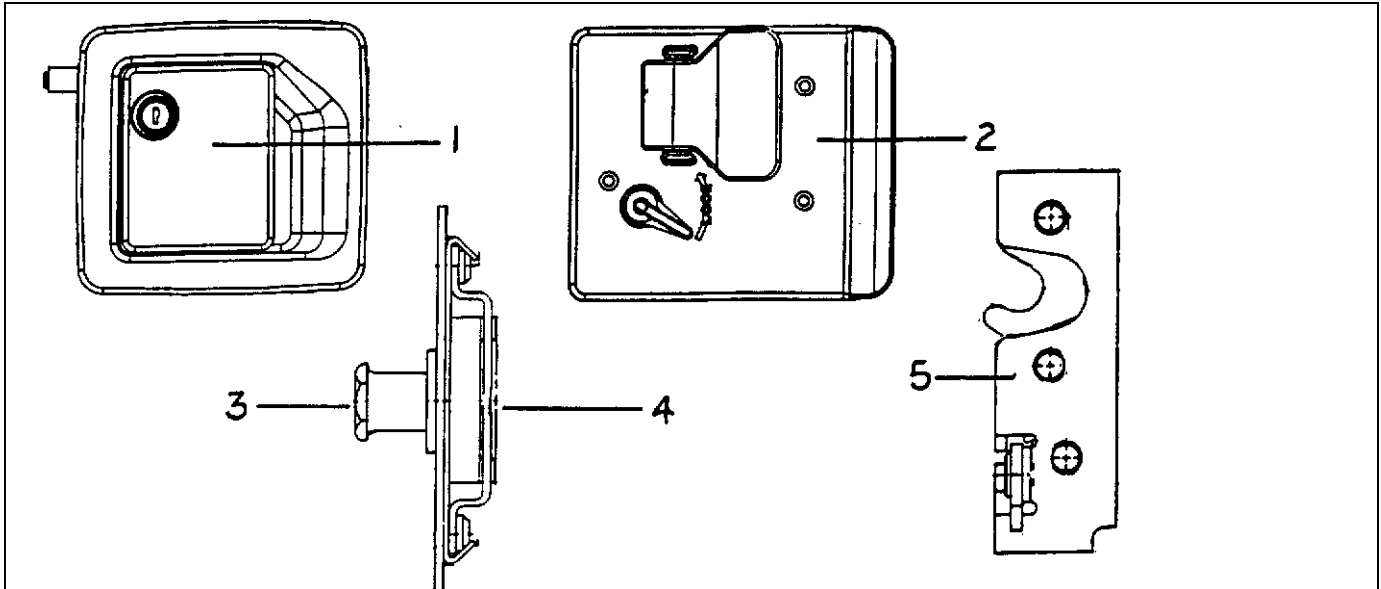
FURNITURE

CAB AREA

964135	Arm rest, CS
200892	Cup holder, chrome plastic
963985-01	Arm rest, RS
203111-06	Top, RS arm rest w/LP generator
964109	Roof locker, front(above windshield)
964444-01	Face frame, front roof locker
964111	Bottom, front roof locker
964463	Cabinet assembly, below TV
964462	Face frame, cab cabinet
801193	Beverage holder, oak
203011-01	Beverage tray cup holder, LH
203011-02	Beverage tray cup holder, RH
702897-01	Driver seat, power
702898-01	Passenger seat, non power
964136	Step cover assembly
800631	Handrail, oak
964208	Close out, upper cab, RS
964139-02	Close out, upper cab, CS
381515	Visor, front windshield
371243	Mirror, rear view, center mount, GM#911722
380990	Bracket, mirror support, GM#9831062
203158-61	Cover, A-post, RS
203139-01	Cover, A-post, CS
203030	Cover, center windshield post

1998 35' CUTTER PUSHER
 HARDWARE
 EXTERIOR-MAIN/SCREEN DOOR

TRIMARK main door lock



- | | |
|--------------|---------------------------|
| 1) 381521-01 | Outside lock housing |
| 2) 381521-02 | Inside lock plate |
| 3) 381284 | Striker bolt |
| 4) 381521-04 | Caged nut |
| 5) 381521-03 | Rotary latch |
| 381521-05 | Screws, inside lock plate |

Dead bolt-Trimark

- | | |
|-----------|------------------------------------|
| 510802-01 | Actuator, door lock, 5-wire |
| 381323-01 | Dead bolt assembly |
| 452030 | Bolt, Trimark dead bolt |
| 381326 | Striker, 10007 w/Trimark dead bolt |
| 345321-12 | Screw, #8-32, flat head, black |
| 200772 | Pan, plastic, dead bolt, interior |

(Continued)

1998 35' CUTTER PUSHER

HARDWARE

EXTERIOR-MAIN/SCREEN DOOR

381334	Hinge leaf, jamb, main door
381336	Hinge leaf, door, main
381377	Hinge leaf, screen door
385599-075	Bearing, sleeve, main door hinge
300118-01	Washer, nylon, main door hinge
310024	Hinge pin, .250 x 6.0"
203127	Cover, inner door lock
511370-01	Grab handle-embossed "Cutter"
381632	Prop, gas spring, 30#(bottom of main door)
381634	Bracket, prop, LH curve
381633	Bracket, prop, 2"
381632-01	Safety clip, end fitting
203156	Cover, black, bottom main door prop
380291	Latch assembly set
381454	Latch, bullet, black
380290	Housing, latch
380004	Handle, with screw, screen door
203000	Close-out, screen door, plastic slide
380079	Screen, gray
200518	Spline, gray, screen door

1998 35' CUTTER PUSHER
HARDWARE
EXTERIOR-BAGGAGE COMPARTMENT

381569-01	Prop, spring, gas.50#
381569-02	Prop, spring, gas, 60#
381569-03	Prop, spring, gas, 40#
381262	Bracket, prop w/ball, mounts on jamb
914163	Bracket, door prop, mounts on door
381565-01	Handle assembly, locking w/collar
381565-02	Handle assembly, non locking
381565-04	Plunger bolt assembly
381484	Strike, compartment door
381456	Cable, coated
381455	Loop sleeve, crimp on cable clamp
381523-01	Hinge, baggage door
365232	Seal, baggage door
203122	Cover, compartment latch, inside

EXTERIOR-REAR LOUVERED DOORS

381434	Hinge, stainless, 3 x 3"
381227-01	Latch, vise action, curved pawl
114827	Plate, rear door latch

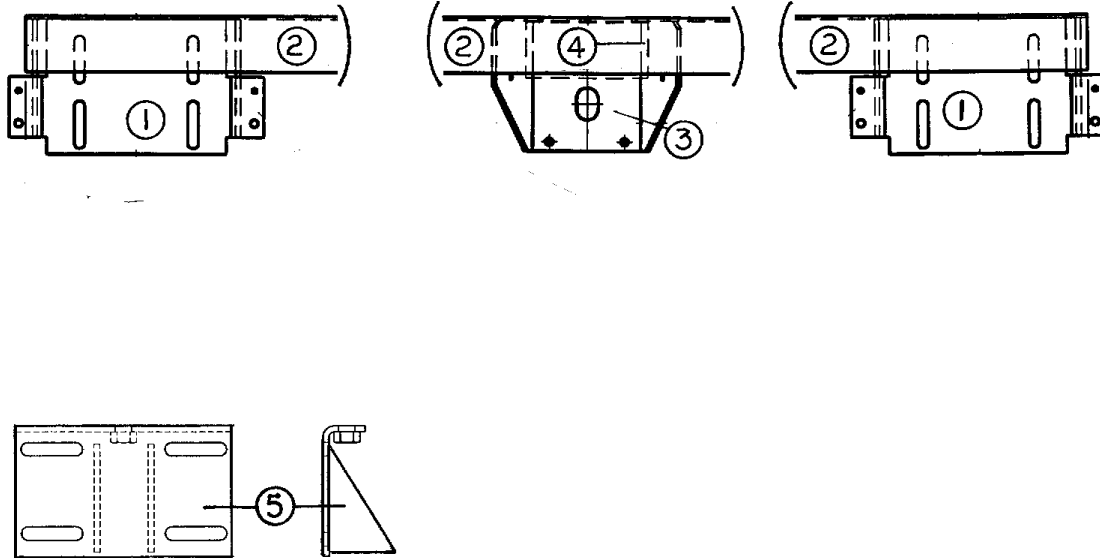
1998 35' CUTTER PUSHER

HARDWARE EXTERIOR-FRONT HOOD

400890	Hinge arm, hood
400895	Brace, hinge arm
453377	Hood hinge stop
400889	Bracket, hood latch
381580	Compression spring
385587	Cap, hood bumper
453374	Clip, alignment, hood
381579-02	Paddle latch
385945	Grommet, hood stop
453405	Extension, hood release
203108	Cap, vinyl, hood release, white

1998 35' CUTTER PUSHER

HARDWARE EXTERIOR-SLIDE OUT ROOM



- 1) 915470 Mounting bracket, slide out room
- 2) 915390 Mounting angle
- 3) 915334 Mounting bracket, rod/room
- 4) 915391 Mounting angle, 6.50 x 3.25 x 6.50"
- *5) 915471 Bracket, slide out arm

*Note: Item 5 acts as the connector between the slide out arms and the angle, item 2, that runs across the bottom of the room.

(Continued)

1998 35' CUTTER PUSHER

HARDWARE EXTERIOR-SLIDE OUT ROOM

FOR REFERENCE ONLY - Airstream does not stock
DeWald parts.



DEWALD MANUFACTURING INCORPORATED

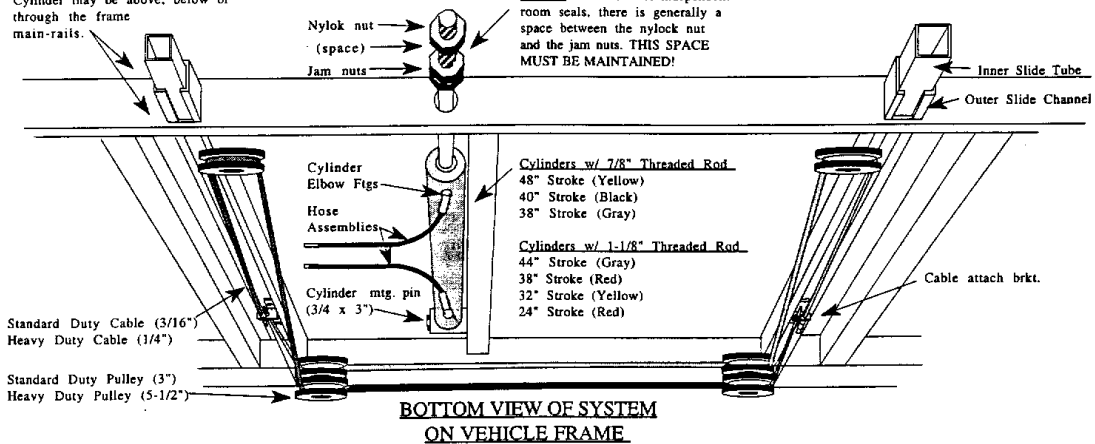
1023 WEST EIGHTH STREET • MISHAWAKA, INDIANA 46544-8783
FAX: (219) 255-5829 • TOLL FREE: 888-332-7343 • PHONE: (219) 255-4776

DEWALD HYDRA-SYNC SYSTEM

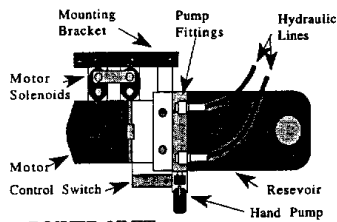
Patented System
(Additional Patents Pending)

NOTE: Slide Tube Assemblies and Cylinder may be above, below or through the frame main-rails.

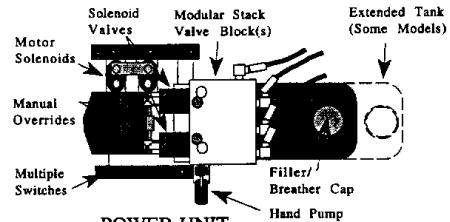
NOTE: To allow for independent room seals, there is generally a space between the nylock nut and the jam nuts. THIS SPACE MUST BE MAINTAINED!



**BOTTOM VIEW OF SYSTEM
ON VEHICLE FRAME**

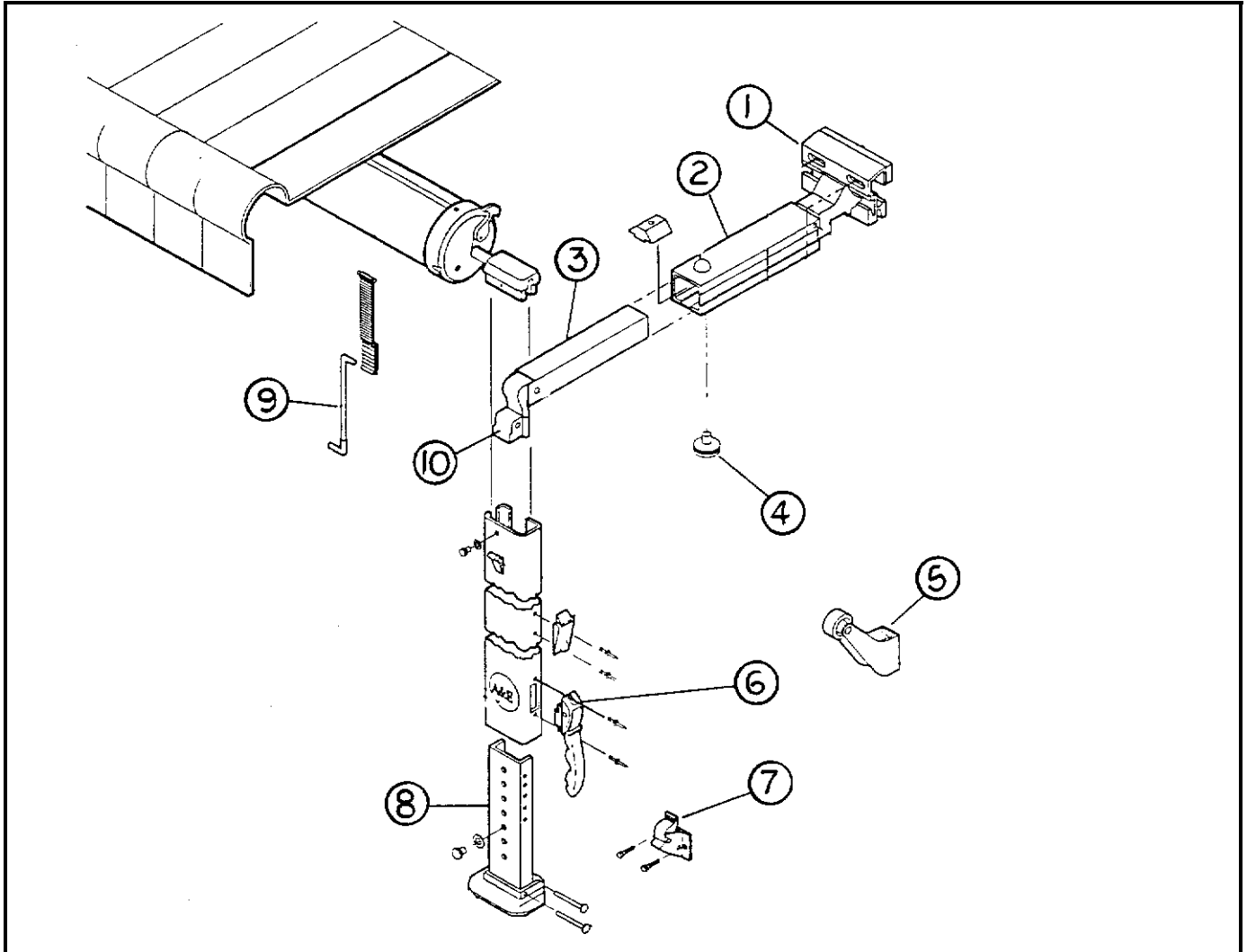


POWER UNIT
For Single Room System
(No Modular Valve Blocks)



POWER UNIT
(With Valve Block
for Multiple Functions)

1998 35' CUTTER PUSHER



- | | |
|----------------|--------------------------------------|
| 1) 702679-104 | Bracket top, A&E awning |
| 2) 702679-103 | Rafter, main, A&E awning |
| 3) 702679-105 | Secondary rafter, A&E awning |
| 4) 702679-106 | Knob, adjustment, 1 7/8" A&E awning |
| 5) 702679-109 | Door roller, A&E awning |
| 6) 702679-111 | Lift handle, A&E awning |
| 7) 702679-108 | Bracket, bottom mounting, A&E awning |
| 8) 702679-107 | Arm, adjustable, A&E awning |
| 9) 702679-102 | E-Z pull rod, A&E awning |
| 10) 702679-110 | Slider assembly, A&E awning |

1998 35' CUTTER PUSHER

HARDWARE

INTERIOR

381604	Door knob, satin
381603	Pull, three finger, antique brass, sliding door
381599	Handle, door/drawer
381576	Pull handle, brass
201427	Finger pull, light brown
381074	Door catch, cabinet, "bull dog"
381228	Door catch, wardrobe, "grabber"
381408	Lock, push button style, black, galley drawer
381526-01	Drawer slide, 950RV, 14"
381526-03	Drawer slide, 950RV, 18"
381526-05	Drawer slide, 700RV, 22"
381526-06	Rear bracket, adjustable, drawer slide
380203-01	Piano hinge, 1/8" pin, clear anodized
381000-06	Hinge, .092 stainless, 2.0" open, 56" long
381601	Hinge, antique brass
380210	Hinge, 2", bed top
385935	Brass pivot hinge, medicine cabinet mirror
381147	Door support, spring loaded, roof locker
381443-01	Sliding door set, includes carriers, top plate and track
200009	Sliding door guide
*381385	Dual lock #400
*381386	Dual lock #170

*These two parts work similar to Velcro but have interlocking knobs rather than hooks and loops.

(Continued)

1998 35' CUTTER PUSHER

HARDWARE

INTERIOR

381527	Speedy shelf strips
380045	Clothes rod
200975-04	Conduit, flexible, black plastic(covers rod)
380046	Clothes rod mounting bracket
340088	Retainer clip, medicine cabinet door mirrors
381612	Mirror clip, holds mirror in wood frame doors
381263	Bracket, prop w/ball, straight(rear bed top)
381262	Bracket, prop w/ball, angled
381549	Gas spring, SPD-GS-2300-150
381158	Lift handle, rear bed top
381530	Drawer latch, flexible black T handle
381626-02	Towel bar, chrome and brass
380248	Soap holder, chrome and brass
380034	Toilet paper holder, chrome
380017	Holder, tooth brush and tumbler

1998 35' CUTTER PUSHER

SECTION IV

L through Z

LABELS and TAGS IV-1

OPTIONS IV-3

PLUMBING

LPG IV-4

Utility compartment..... IV-5

Fresh water IV-6

Faucets..... IV-9

Drain water IV-13

Toilet IV-16

SAFETY EQUIPMENT IV-17

SEALS/SEALER/PAINT

Gaskets IV-18

Sealer IV-19

Adhesive..... IV-20

Paint IV-20

UPHOLSTERY/FOAM/MATTRESS

Mattresses IV-21

Bed spread..... IV-21

Swivel seat/Cab seat IV-21

Dinette foam/upholstery..... IV-22

VENTS/FANS/SKYLIGHTS IV-23

WOOD/INTERIOR TRIM

Paneling IV-24

Wood accessories..... IV-24

Wood molding/trim..... IV-25

Ceiling trim/retainer IV-26

1998 35' CUTTER PUSHER

LABELS AND TAGS

385103	Plate, RVIA
385531	FMVSS certification label
385815	Name plate, motorhome hitch rating
385095	Tag registry#11999
385465	Label, exit warning (English)
385463	Label, warning label/cooking appliance
385464	Label, LP gas warning label (odor)
385788	Warning label, pilot light/refuel
385101	Tag, auxiliary tank dump valve handle
385099	Tag, black tank dump valve handle
385063	Label, drain cap
385062	Decal, 110-125 voltage AC
385309	Decal, fuel fill
385547	LP gas warning/fill label
385141	Tag, seat, clear w/black letters
385518	Label, dimension and clearance
385193	Label, 12Volt distribution inside
385560	Air conditioner rating label
385561	Generator rating label
385565	Label, holding tank flushing
385805-01	A/C priority switch label-front
385805-02	A/C priority switch label-rear
385812	Label, Calif. hazardous substance
385609	Label, smoke detector
385612	Label, parking brake warning
385829	Decal, fuse and relay
385828	Decal, fuse panel warning
385851	Label, cellular phone
385924	Label, galley light

(Continued)

1998 35' CUTTER PUSHER

LABELS AND TAGS

385933	Label, name set relay
385941	Label, waste water holding
385942	Label, sewage holding tank
385943	Label, "cap must be in place"
385947	Label, 10 amp fuse maximum
385098	Label, seat occupancy
385608	Label, sewer hose
385829	Decal, fuse and relay
385828	Decal, fuse panel
385931	Decal sheet, utility compartment
385966	Label, inverter circuit

1998 35' CUTTER PUSHER

OPTIONS

690337	Video cassette player-Audiovox
511310	Video control center
203153-01	Skylight, 22" x 22" clear
203152-03	Skylight trim out 22" x 22" x 4"
702804-02	Shade, pleated, 20.25" x 21.00"
690352-01	Washer/dryer, Kariba, #WDS1043
962662	Laundry cabinet assembly
381564	Vent w/wall thermostat, Fantastic #2000TRS
690347	Range, 3burner w/oven
690373-02	Refrigerator, 10CF, 2-way, RH, RM7732 w/ice
801225-04	Refrigerator door insert, 54.88 x 16.44"
801225-05	Refrigerator door insert, 54.88 x 10.06"
511303	Generator, Onan 7.5 QD
511303-02	Remote start switch w/panel
203111-05	Top RS armrest, diesel
702679-21	Awning, front door, 4' Blue Shadows
702679-19	Hardware, awning, front bus door
702679-20	Air foil kit, 4' Dometic awning
702625-01	Recliner, leather, Villa

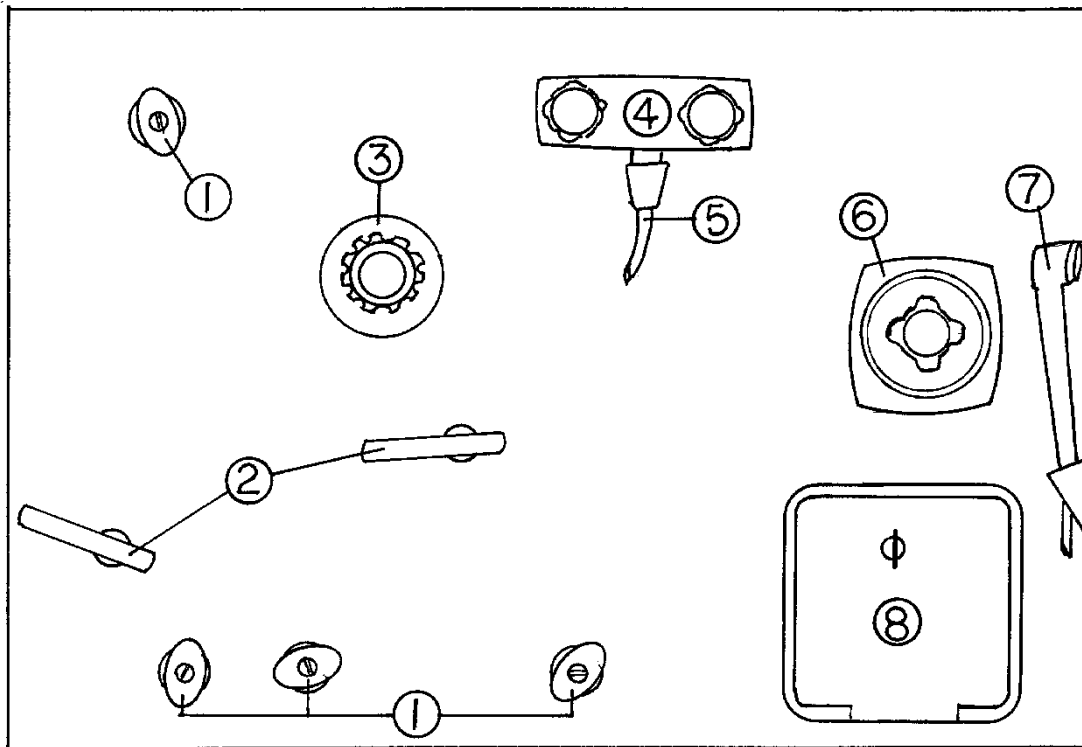
1998 35' CUTTER PUSHER

PLUMBING

LPG

601681	LP tank, 50.3 gal, liquid/vapor
511229	Sending unit, 90 ohm, Snap-on
601277	Regulator, LP gas, 2 stage, Marshal Brass
425546	Bracket, LP regulator
201649	Access cover, LP regulator
601335	LP hose, tank to regulator, 35 in.
601527-02	LP hose, high pressure liquid, 51in.
601527-01	LP hose, high pressure liquid, 56in.
601279	LP hose, low pressure, 18in.
601412-08	Connector, 1/2 pipe to 3/8 flare
601412-12	Connector, 1/2 pipe to 5/8 flare
601515	Fitting, brass 1/4 x1/4 inverted flare
601523-23	Fitting, 1/2 hose x 1/2 MPT, brass
600008	Tubing, copper, 3/8in.
600435	Flare nuts, forged, 3/8in.

1998 35' CUTTER PUSHER
 PLUMBING
 FRESH WATER-UTILITY COMPARTMENT



- 1) 601698-07 Shut-off, 1/2 barb x1/2 barb
- *2) Dump valve rods
- *3) 601197-01 Water hook up, black tank flush
- 4) 601592-03 Shower valve
- 5) 601592-02 Shower hose, white, 59in.
- 6) 601392 City water hook-up w/regulator
- 7) 601592-01 Shower head, white
- 8) 601229-01 Compartment, sewer hose (no metal hose)

- 601610 Metal conduit, 4" x 10'-hose carrier
- 601610-03 Ell, 45 degree-4"
- 601610-04 Cap w/stop-4"

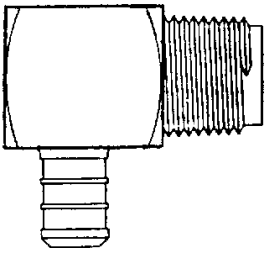
*See drainage for more detail

1998 35' CUTTER PUSHER

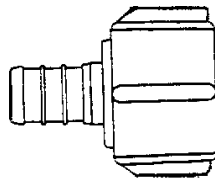
PLUMBING FRESH WATER

- 601632-02 Tank, fresh water
- 601709 Check valve, w/rubber flap(over flow)
- 600139 Check valve, brass
- 601061-01 Water pump, Shurflo
- 600593 Filter, pre water pump

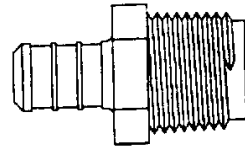
FITTINGS



601698-04
Elbow, 1/2" barb
x 1/2" MPT



601698-03
Coupler, 1/2" barb
x 1/2" FPT



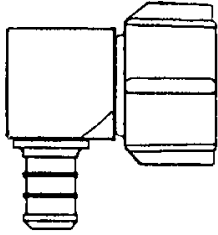
601698-02
Coupler, 1/2" barb
x 1/2" MPT

Continued

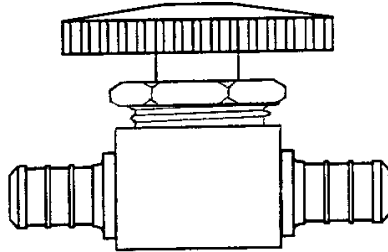
1998 35' CUTTER PUSHER

PLUMBING

FRESH WATER-FITTINGS



601698-05
Elbow 1/2" barb x
1/2" FPT



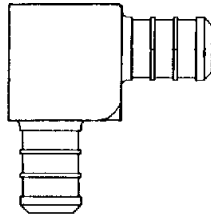
601698-07
Shut-off, 1/2" barb x
1/2" barb



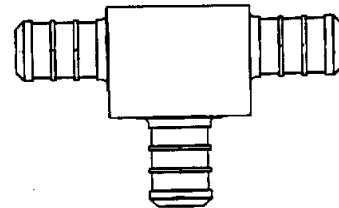
601698-08
Coupler
1/2" x 1/2" barb



601698-09
Plug, 1/2" barb
1/2" barb 1/2" barb



601698-10
Elbow 1/2" barb x
1/2" barb



601698-11
Tee, 1/2" x 1/2" x
1/2"



601698-15
Crimp ring, 1/2
E-Pex, 1/2 (black)



601698-01
E-Pex tube, 1/2"

(Continued)

1998 35' CUTTER PUSHER

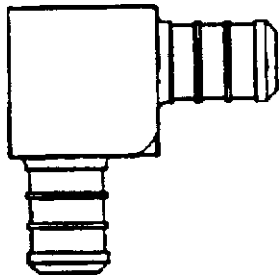
PLUMBING FRESH WATER-FITTINGS



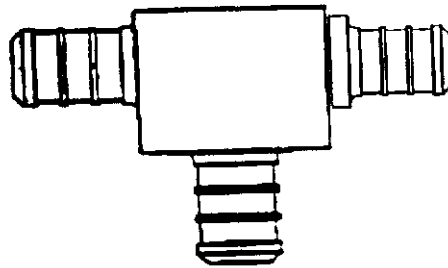
601698-16
Crimp ring, $\frac{3}{4}$ "
E-Pex, black



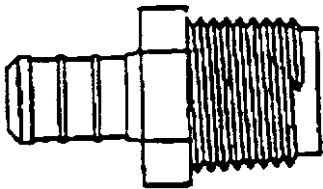
601698-12
E-Pex tube, $\frac{3}{4}$ "



601698-13
Elbow, $\frac{3}{4}$ " x $\frac{3}{4}$ " barb

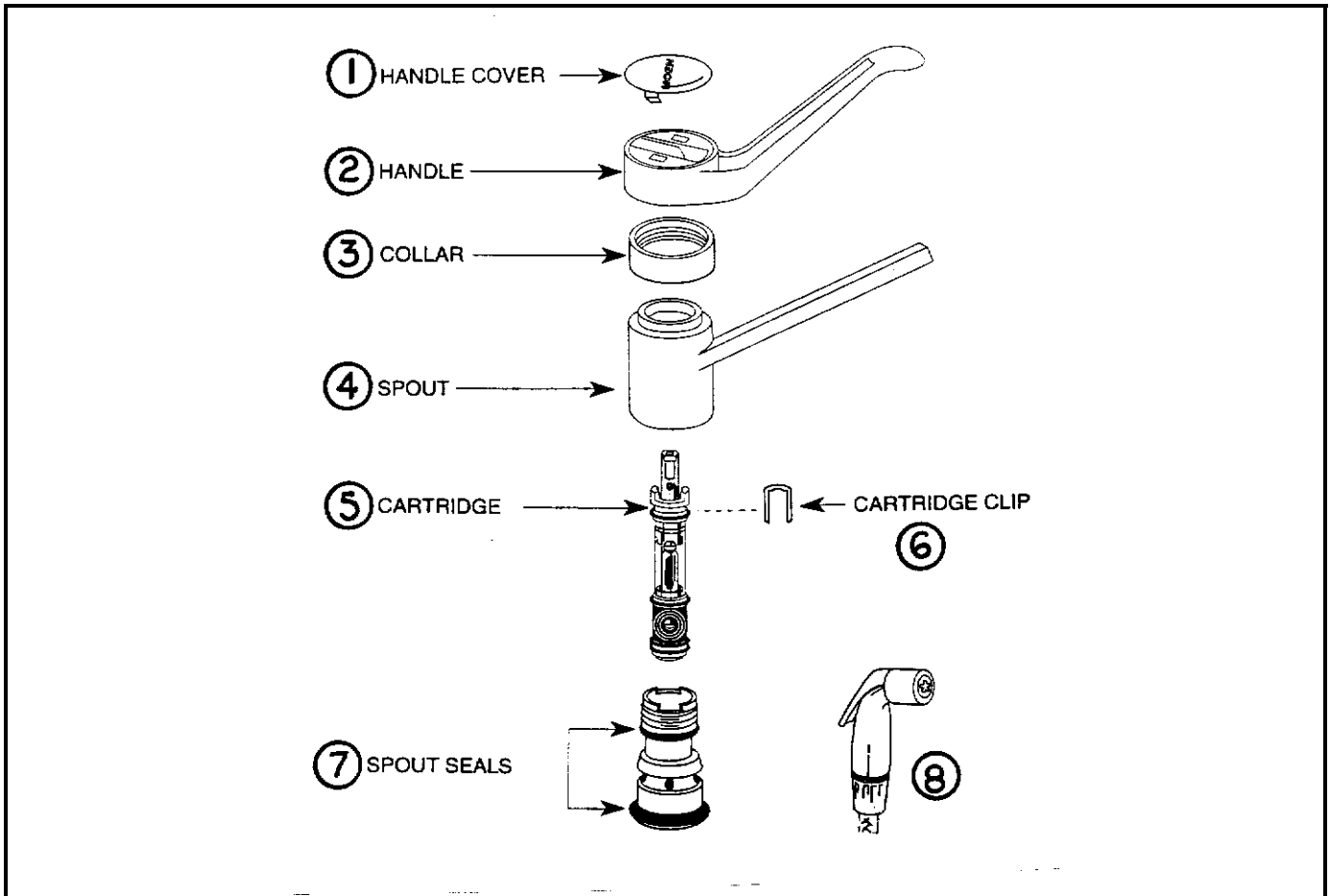


601698-18
Tee, $\frac{3}{4}$ " x $\frac{1}{2}$ " x $\frac{3}{4}$ " barb



601698-19 Coupler, $\frac{3}{4}$ " barb x $\frac{3}{4}$ " MPT

1998 35' CUTTER PUSHER
 PLUMBING
 FRESH WATER-FAUCETS

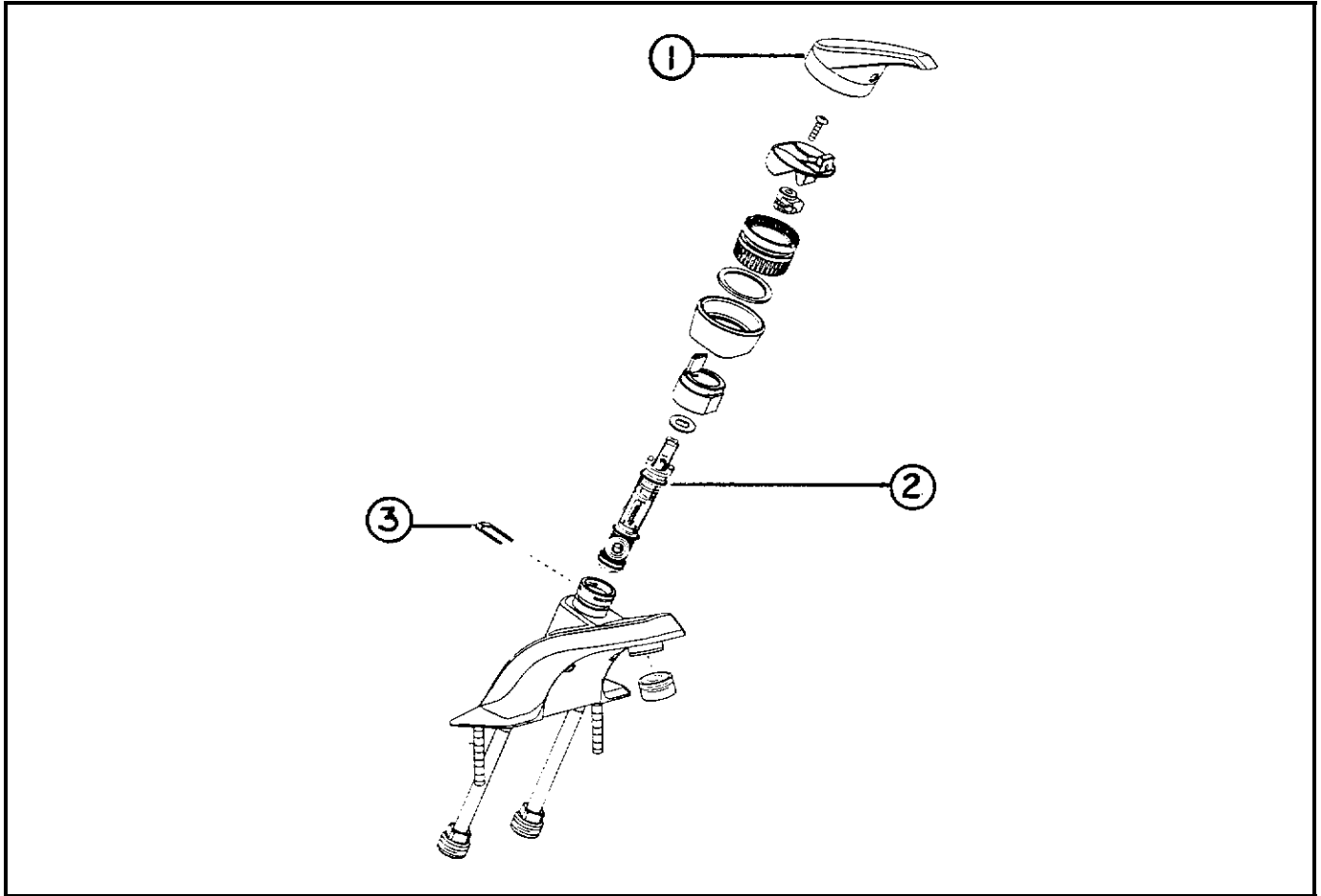


601705FAUCET, GALLEY, MOEN #7215S

- | | |
|---------------|--------------------------------|
| 1) 601705-972 | Handle cover, sand |
| 2) 601705-444 | Handle, sand |
| 3) 601705-694 | Collar, sand |
| 4) 601705-915 | Spout, sand |
| 5) 601579-106 | Cartridge, Moen |
| 6) 601579-105 | Clip, cartridge retainer |
| 7) 601705-117 | Spout seals, Moen 7215S |
| 8) 601705-873 | Spray head/hose assembly, sand |

1998 35' CUTTER PUSHER

PLUMBING FRESH WATER-FAUCETS

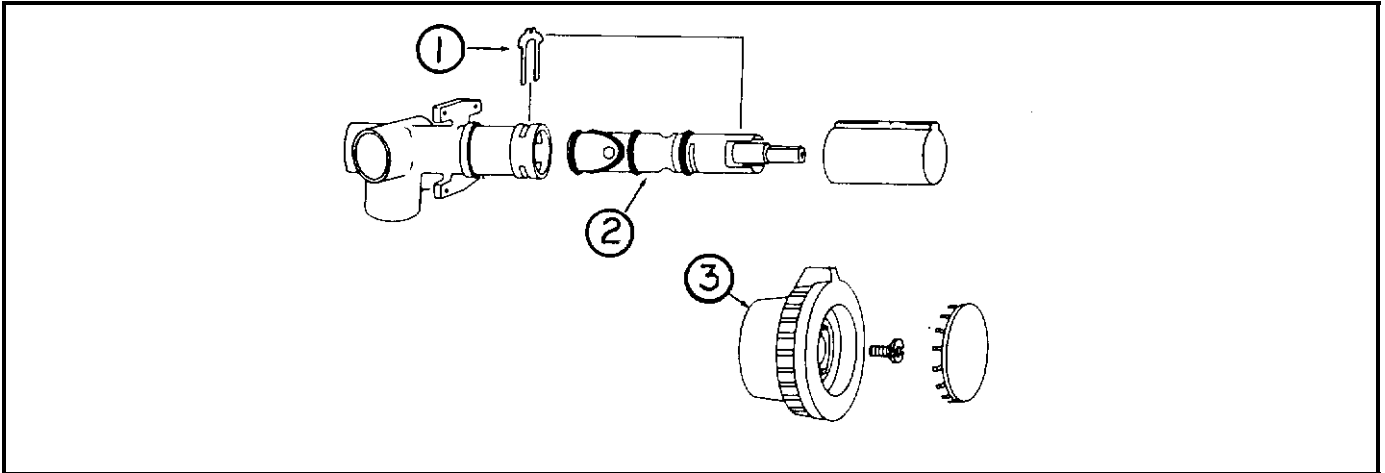


690390-02 Faucet, lavatory, Moen, brass/chrome

- 1) 690390-100 Lever handle
- 2) 601579-105 Cartridge
- 3) 601579-104 Retainer clip

1998 35' CUTTER PUSHER

PLUMBING FRESH WATER-FAUCETS



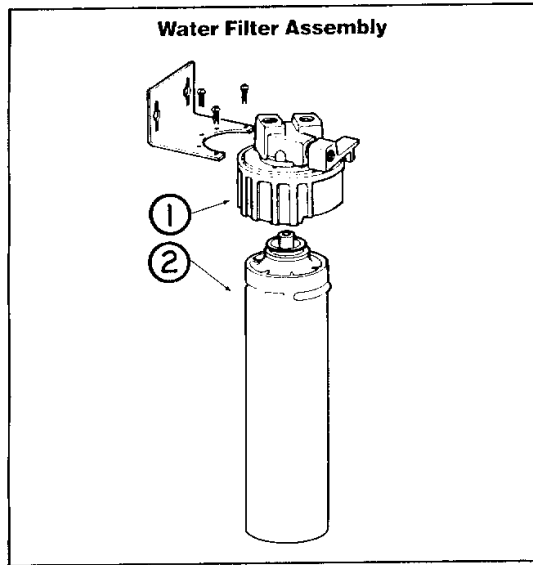
601420-02 Faucet, shower

- 1) 000883 Retainer clip
- 2) 601420-100 Cartridge
- 3) 001041 Handle

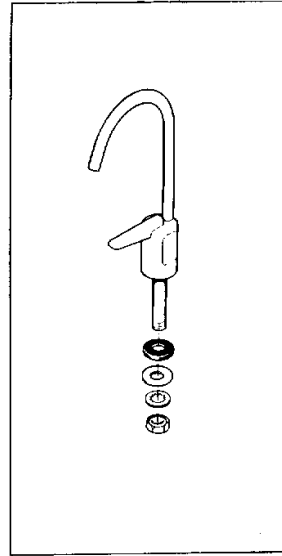
- 601358-100 Shower head , chrome
- 600330 Shower hose, chrome
- 600332 Vacuum breaker, chrome

1998 35' CUTTER PUSHER

PLUMBING FRESH WATER-FAUCETS



- 1) 005273Head, water filter
- 2) 960112Cartridge, filter



- 601401 Faucet, water

1998 35' CUTTER PUSHER

PLUMBING DRAIN SYSTEM

601644-01	Holding tank, gray
601604-05	Holding tank, black
601441	Tank flush, no-fuss(vacuum breaker and check valve)
601441-01	Nozzle, tank mounted, no-fuss flush
601197-01	Water hook-up, chrome, black tank flush
601607-08	Sewer hose, 20', w/hose adaptor
601229-01	Compartment, sewer hose storage(less metal housing)
601610	Metal conduit, 4" x 10'-hose carrier
601610-03	Ell, 45 degree-4"
601610-04	Cap with stop-4"
601607-02	Valve assembly, 3"
601607-10	Dump valve rod extension, 19"
601607-04	Extension rod, threaded, 5 1/2"

FITTING-BELOW FLOOR

195329-229	Reducer adapter, 3" to 1.5"
600431	Elbow, 90 degree, 1.5
600035	Ell, long sweep, 1.5
601607-02	Valve assembly, 3"
601251	Adapter.3" termination
0310107	Waste valve adapter
600820	3" Single socket, 90 degree
601160-02	Pipe, ABS, 1.5"
601160-04	Pipe, ABS, 3.0"
601607-06	Bayonet ring, glue on, 3"
601607-07	Bayonet cap, 3"

1998 35' CUTTER PUSHER

PLUMBING

DRAIN SYSTEM-ABOVE FLOOR

601266	Closet flange, 3 x 4, slip fit, tank to toilet adp.
201999	Shower stall, almond-35 slide out
601362-02	Drain, polished chrome
600594	Strainer w/rubber stopper
203037	Shower/tub, fiberglass-35 non slide
601362-0	2Drain, polished chrome
600594	Strainer w/rubber stopper
200406-06	Lavy bowl, oval-includes tail, basket and stopper
601497-01	Sink, galley, porcelain, almond
195362-39	Sink strainer w/stopper, 2"

FITTINGS-ABOVE FLOOR

6017000	Hose, drain, Kaf-Flex 1.5", galley slide out
601200	Adapter, auto vent w/extension
601699	Adapter 1.5 MPT x 1.5 barb
600156	Tee, sanitary
600538	Vent V-200, automatic
600431	Elbow, 90degree 1.5"
600378	Continuous waste, 1.5
600622	P-trap, 1.5" w/slip nut and washer
601160-02	Pipe, drain, 1.5"
964266	Plumbing support, galley slide out

(Continued)

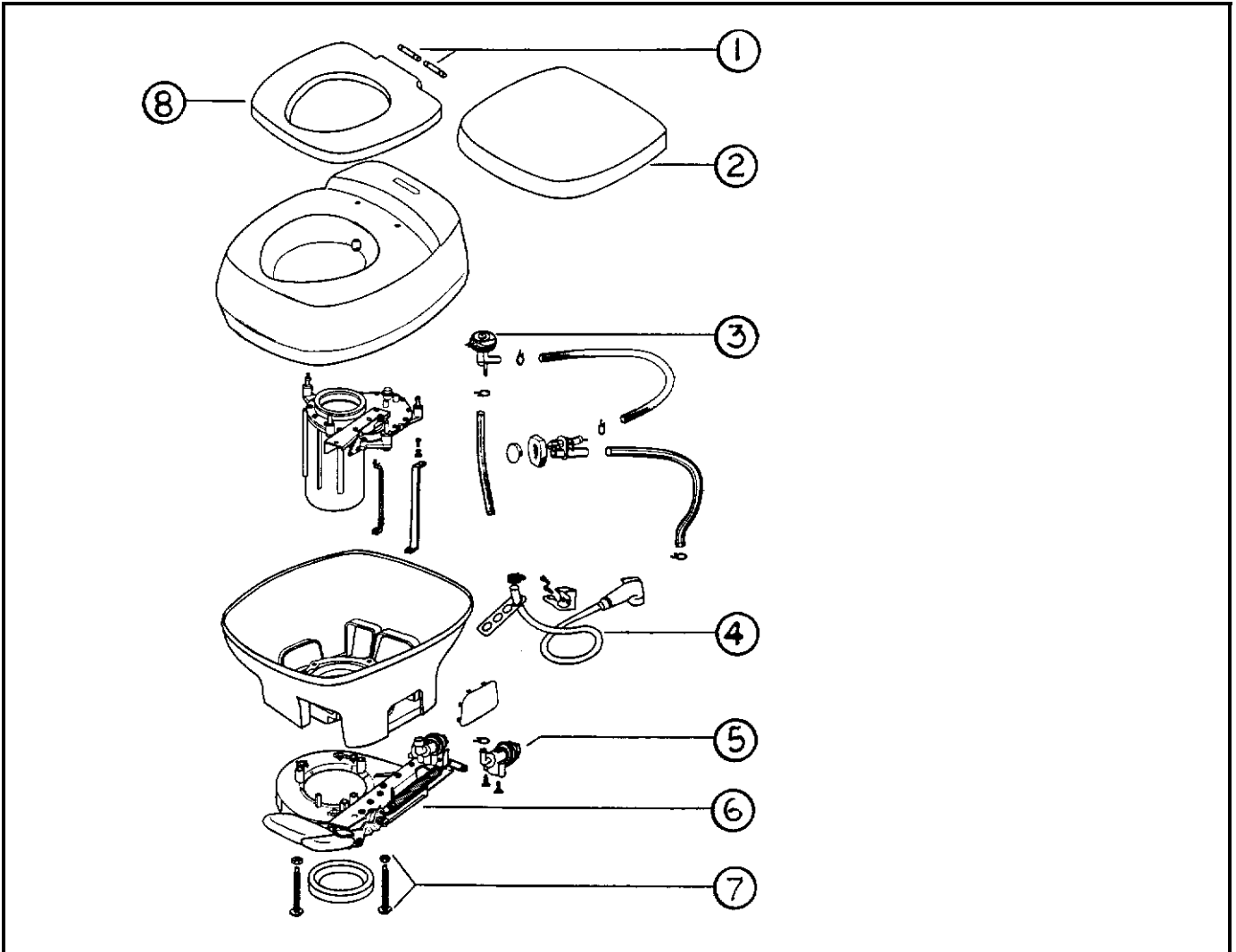
1998 35' CUTTER PUSHER

PLUMBING

DRAIN SYSTEM-FITTINGS ABOVE FLOOR

600144	P-trap, 1.5"
601201	Adapter, swivel strainer, 1.25"
601318	Tee, bi-directional clean out 1.5
600155	Plug, clean out, 1.5
600182	Wye, 1.5 x 1.5 x 1.5, 1/8 bend
600094	Wye #2301
600035	Ell, long sweep, 1.5
600625-01	Plug, trap, 1.5 female
600625-02	Plug, tray, 1.5 male
600866	Elbow, 3-way
600224	Street ell, 3", 45 degree, long turn

1998 35' CUTTER PUSHER PLUMBING



690386 Toilet, Thetford China, Aurora, bone

- | | |
|---------------|--|
| 1) 690386-101 | Hinge pins, seat, Aurora |
| 2) 690386-102 | Seat cover, bone, Aurora |
| 3) 690386-103 | Vacuum breaker, Aurora |
| 4) 690386-104 | Hand spray kit, Aurora |
| 5) 690386-105 | Ball valve kit, Aurora |
| 6) 690386-106 | Lower mechanism assembly, bone, Aurora |
| 7) 690386-107 | Closet flange seal & bolt kit |
| 8) 690386-108 | Seat, bone, Aurora |

1998 35' CUTTER PUSHER

SAFETY EQUIPMENT

510781	Detector, smoke #1056 w/silencer
511343	Detector, carbon monoxide-9 volt
511309	Detector, LPG
510734	Alarm, back-up
381069	Seat belt kit, cocktail chair
690381-01	Fire extinguisher 10 B: CUL
690381-02	Fire extinguisher 10 B: CULC (Canadian)
380188	Emergency warning triangle, set of 3

1998 35' CUTTER PUSHER
 SEALER, GASKETS, PAINT, ADHESIVES
 GASKETS



1) 365205



2) 365237-01



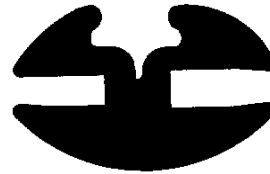
3) 365232



4) 365208



5) 201260



6) 381524



7) 365013-01

- 1) 365005 Gasket, weather strip, rear trunk door
- 2) 365237-01 Seal, dust, compartment door edge
(replaced 365208 mid 98 model)
- 3) 365232 Seal, main door/compartment door jamb
- 4) 365208 Gasket, seal-compartment door hinge and window to
body
- 5) 201260 Insert, windshield gasket, rubber
- 6) 381524 Gasket, windshield, includes center strip
- 7) 365013-01 Gasket, screen door, low density foam

1998 35' CUTTER PUSHER
SEALER, GASKETS, PAINT, ADHESIVES

SEALER

360052	Vulkem sealer, black,
360180	Sika flex #221
360268-01	Liqua Seal, roof, white
360216	Caulk, latex, brown
365001	Tape, double coated foam
360074	Sealant, GE RTV, white
360002	Vulkem sealant, gray
360176	Sealant, almond, bathroom
360210	Sealant, paralastic #4334-04 (refrigerator compartment sealer)
360283	Silicone sealer, Corian bone

1998 35' CUTTER PUSHER
SEALER, GASKETS, PAINT, ADHESIVES
ADHESIVES

702791 Border adhesive
800639-02 Adhesive, oak plank flooring
360270 Adhesive spray, Sta-put, ceiling panels
(reference only, not available for shipment)
360261 Glue, urethane

PAINT

360234 Paint, gray smoke, Delstar
360260 Paint, gal, Pewter lower-lower skirts, Centari
360262 Paint, gal, Nu-white-side walls, Centari

360208 Stain, gal, medium oak
365244 Lacquer, clear, used on wood

MISCELLANEOUS

360179 Undercoat, Pennzoil II

6000329 Tape, silver, 2" wide

200518 Spline, gray, screen insert
380079 Screen, gray

1998 35' CUTTER PUSHER
UPHOLSTERY/FOAM/MATTRESS

702674 Mattress, 60 x 75" w/45 degree corner
701611 Pillow 21 x 31"

702676-318 Bedspread, J model, Blue Bayou
702676-098 Bedspread, J model, Alex. Julian
702676-418 Bedspread, J model, Peridot

963096 Head board, 62"wide

702896-04 Pillow kit, Blue Bayou
702883-04 Pillow kit, Alex. Julian
702881-05 Pillow kit, Peridot

702901-01 Swivel chair, Villa

702899-318 Sofa, jackknife, 68", Villa, 35' slide out
702900.318 Sofa, jackknife, 74", Villa, 35' non slide

702897-01 Seat, driver, power w/belts
702898-01 Seat, passenger, non power, w/belts

1998 35' CUTTER PUSHER
UPHOLSTERY/FOAM/MATTRESS

963548	Upholstered back, aft dinette
702464-03	Foam, dinette, upper back, RH
702464-07	Foam, dinette, lower back
963549	Upholstered back, forward dinette
702464-04	Foam, dinette, upper back, LH
702464-07	Foam, dinette, lower back
998070	Cover, seat, side dinette
702464-09	Foam, dinette, aft seat
702464-11	Foam, dinette, forward seat
998071	Cover, back, side dinette

1998 35' CUTTER PUSHER

VENTS/FANS

381207-02	Vent w/screen, refrigerator, roof
511152-11	Range exhaust, w/monitor
511152-01	Vent cover, exterior, range exhaust
203148-01	Skylight, heavy duty, 14.5 x 22.5
203148-02	Trim dome, inner, skylight, 14 x 22
381541-06	Roof vent w/power lift
381541-02	Switch, roof vent
381450	Vent, roof, Fantastic#6000RBT
511376	Fan, defrost, oscillating
381631-01	Skylight, plastic, neo-angle 22 x 22

1998 35' CUTTER PUSHER

WOOD/INTERIOR TRIM

801176-03	Paneling, interior wall, 1/8" x 4' x 7', Solitude
203147-01	Trim, divider bar, interior panels, Solitude
800507-01	Paneling, luan, 1/8" x 4' x 8'
800397-01	Cedar, planked, 5/32" x 4' x 8'
201728-01	E x trusion, ceiling trim retainer
201728-04	E x trusion, ceiling trim
801177-01	Paneling 1/2" x 4' x 8', G2S, solitude/solitude
801185-01	Paneling 1/2" x 4' x 8', G1S, solitude/raw
801233-01	Paneling 1/4" x 4' x 8', G1S, solitude/raw
801180	Paneling 1/2" x 4' x 8', G2S, oak/oak
801179	Paneling, 1/2" x 4' x 8', G1S, oak/raw
801182	Paneling 5/32" x 4' x 8', G2S, oak/oak
801181	Paneling 5/32" x 4' x 8', G1S, oak/raw
801229	Laminate, oak, 4' x 8'
800631	Handrail, oak, 23"
963990	Magazine rack
801115	Flooring, oak quartered 3/8"

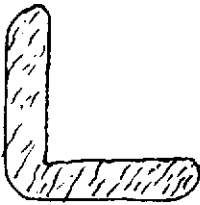
1998 35' CUTTER PUSHER
WOOD/INTERIOR



1) 801206-01



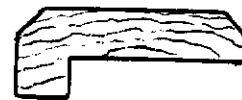
2) 964152-01



3) 801175



4) 800571-01



5) 800617-01



6) 801172-01
6a) 801172-03



7) 801173-03



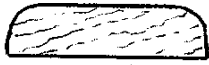
8) 801173-04

- | | |
|---------------|------------------------------------|
| 1) 801206-01 | Molding, floor, oak, 43" |
| 2) 964152-01 | Molding, chair rail, oak |
| 3) 801175 | Molding, corner, Solitude |
| 4) 800571-01 | Molding, oak, flat 1/4"x33/64"x80" |
| 5) 800617-01 | Molding, wainscoat, oak |
| 6) 801172-01 | Molding, flexible corner, oak |
| 6a) 801172-03 | Molding, flexible corner, Solitude |
| 7) 801173-03 | Molding, flat radius, .88" oak |
| 8) 801173-04 | Molding, flat radius, 1.13" oak |

(trim Continued)

1998 35' CUTTER PUSHER

WOOD/INTERIOR TRIM



1) 800573-01



2) 800572-01



3) 201728-04



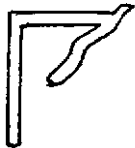
4) 201728-01



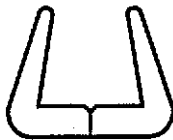
5) 203159-01



6) 201666



7) 201790-01



8) 203138-01

1) 800573-01

Molding, door edge 1 3/32 x 80"

2) 800572-01

Molding, panel edge, oak 23/32 x 80"

3) 201728-04

Extrusion, ceiling trim

4) 201728-01

Extrusion, ceiling trim retainer

5) 203159-01

Trim, divider bar, interior panels, Solitude

6) 201666

Molding, J 3/16, plastic

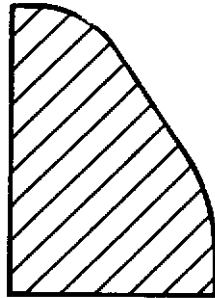
7) 201790-01

Molding, cove, white, ceiling to wall

8) 203138-01

Extrusion, wall, plastic, white (panel edging)

1998 35' CUTTER PUSHER
WOOD/INTERIOR TRIM



1) 800576-01



2) 801189

- | | |
|--------------|------------------------------|
| 1) 800576-01 | Molding, bath door stop, oak |
| 2) 801189 | Trim, bath door jamb, oak |

SLIDE OUT ROOM INTERIOR TRIM

- | | |
|-----------|--|
| 964267 | Molding, decorative oak, slide out trim, 84" |
| 964267-01 | Molding, decorative oak, slide out trim, 120" |
| 964101-02 | Facia, decorative oak, corner block, slide out |