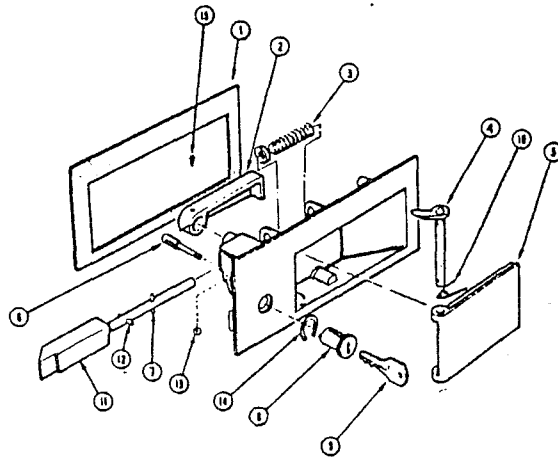


## Main Door Lock



Complete Assy. - P/N 380193  
(Airstream - Polished)

Complete Assy. - P/N \*  
(Argosy - Unpolished)

## MAIN DOOR LOCK - K T

<u>ITEM</u>	<u>PART NO.</u>	<u>DESCRIPTION</u>
1	*	Gasket - Seal
2	380345	Handle, Inside
3	380344	Spring, Slide Bolt
4	380348	Shaft, Vert., Handle
5	380346	Handle, Outside
6	380347	Pin, Knurled Locking
7	380343	Pin, Split Roll, Small
8-9	380341	Cylinder, Tumbler with Key
9	380342	Key, Blank
10	682377	Spring, Lever
11	380633	Bolt, Slide w/Rod
12	380634	Pin, Split Roll, Large
13	380635	Ball, Locking
14	380636	Ring, Cylinder Retainer
15	380637	Screw, Set - Handle
*	682385	Verticle Locking Shaft
*	685198	Horizontal Locking Shaft ( inside handle shaft)

\* NOT SHOWN

Dimensions Faceplate

3 3/8" X 8"  
H W

11-F03

NOTE: Items 2 & 15 do not come with assembly

1970 thru 1977

Dimensions Face Plate

5 3/4 H x 3 7/8 W

Key hole below Handle

MAIN DOOR LOCK CHANGEOUT  
1978-1990 TRAILERS

PART #	DESCRIPTION	QTY
381423-01	COVER PLATE W/KNOB	1EA
381423-02	OUTSIDE HOUSING	1EA
381432	STRIKE	1EA
381423-060	3/4" SELF TAPPING SCREW	6EA
681850-101	LOCK PLATE	1EA

\* THIS LOCK REQUIRES SOME MODIFICATION TO INSTALL

Keeler Brass  
Replacement for ~~lock~~ lock.

New ASSY. Tri-MARK - w/ADAPTER PLATES to fill in for large hole