

AIRSTREAM™

Weeping or Dripping Relief Valve on Atwood Waterheaters

The following information is made available through Atwood Mobile Products, the manufacturer of the water heaters used in Airstream products.

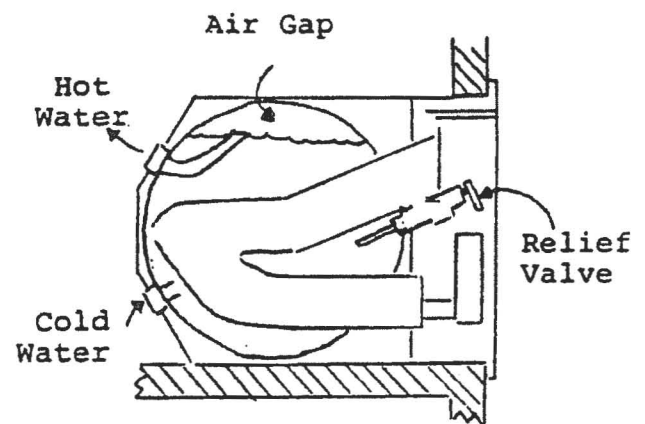
ATWOOD WATER HEATERS - ALL MODELS

PROBLEM: TEMPERATURE/PRESSURE RELIEF VALVE

Weeping or dripping of relief valve while water heater is running DOES NOT mean it is defective.

This is caused by the normal expansion of water as it is heated in the closed water system of a recreational vehicle.

The Atwood water heater tank is designed internally with an air gap at the top of the tank to reduce the possibility of this occurring.



In time, the expanding water will absorb this air. To replace the air:

1. Turn off water heater.
2. Turn off incoming water supply.
3. Open a faucet in the coach.
4. Pull handle of P & T valve straight out and allow water to flow until it stops.
5. Allow P & T valve to snap shut; close faucet; turn on water supply.