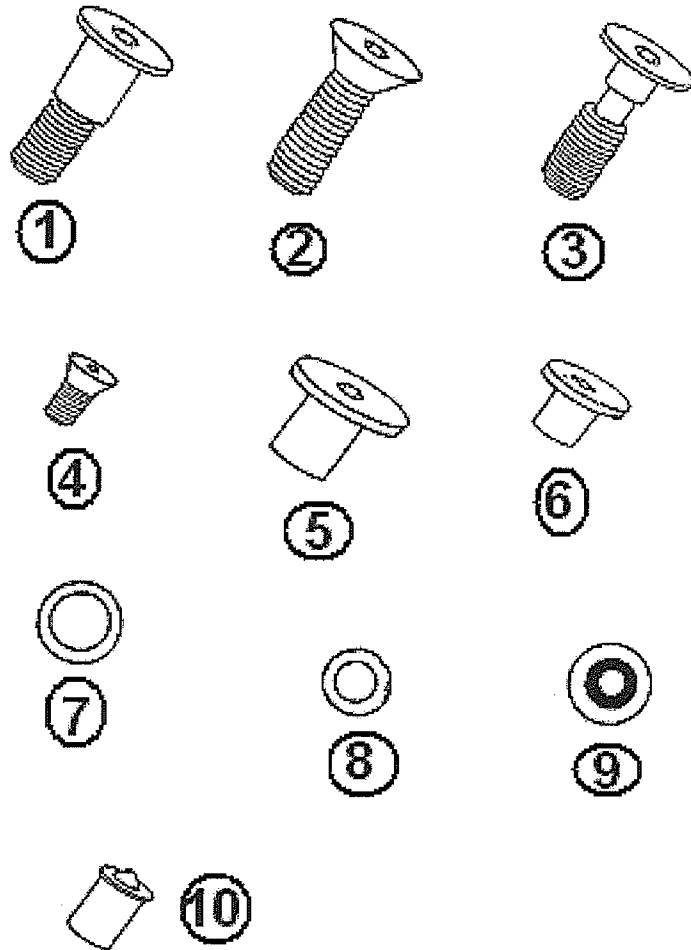


# CLASSIC TRAILER

## CHASSIS

### Step Bolts/Washers/Screws/Catches Illustrated

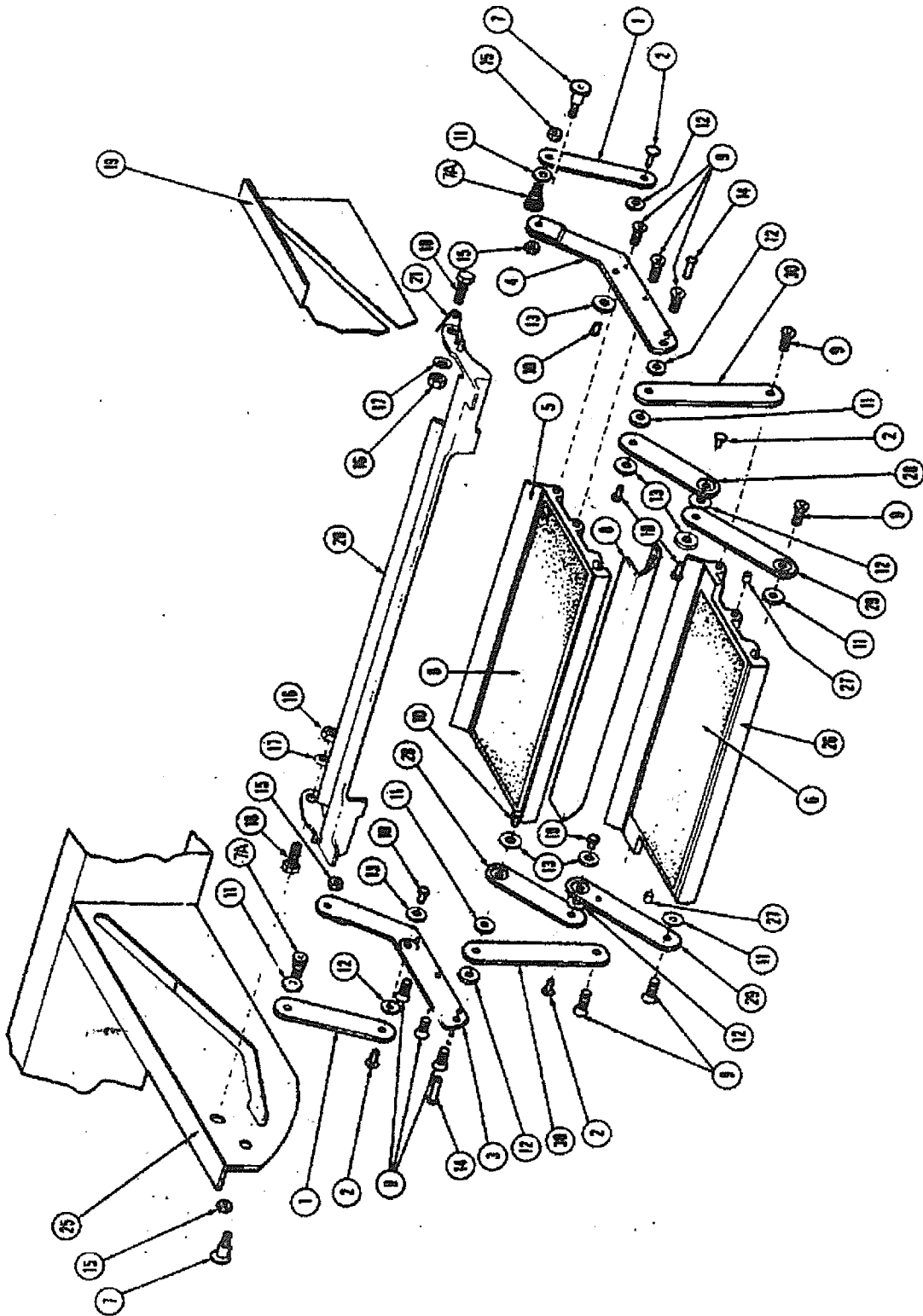


- |            |                                    |
|------------|------------------------------------|
| 1. 001152  | 1/2" Shoulder w/3/8" shoulder bolt |
| 2. 680221  | 3/8-16 x 1, flat head Allen, screw |
| 3. 001145  | 3/8-16 thread, shoulder bolt       |
| 4. 680222  | Flat head Allen socket screw       |
| 5. 680226  | Pivot pin                          |
| 6. 680214  | Hinge pin                          |
| 7. 680223  | Brass washer                       |
| 8. 680224  | Wave washer                        |
| 9. 680225  | Aluminum Washer                    |
| 10. 380075 | Bullet catch                       |

# CLASSIC TRAILER

## CHASSIS

Step



See next page for P/N

# CLASSIC TRAILER

## CHASSIS

### Step

3440006	Double step assembly
1. 680213	Arm, upper support
2. 680214	*Pin, hinge
3. 680215	Step bracket, left
4. 680216	Step bracket, right
5. 680217	Extrusion, step 20.5"
6. 380069	Safety tread
7. 001152	Bolt, shoulder
7a. 001145	Bolt, shoulder, 3/8" thread
8. 680220	Panel
9. 680221	Screw, flat head
10. 680222	Bolt, socket head
11. 680223	Washer, bronze
12. 680224	Washer, wave
13. 680225	Washer, aluminum
14. 680226	Pin, pivot
15. 350005	Nut, hex
16. 350147-25	Nut, Nylock
17. 300005	Washer, flat
18. 345016	Screw, machine
19. 400454	Outrigger, RH (Not included with step assembly.)
20. 100298	Casting, step release
21. 0440032	Step spring
25. 400455	Outrigger, LH (Not included with step assembly.)
26. 410200	Extrusion, step, 20.0"
27. 380075	*Bullet catch
28. 400004	Hinge arm, upper
29. 400003	Hinge arm, lower
30. 400005	Arm, lower support

\*Larger illustration on next page